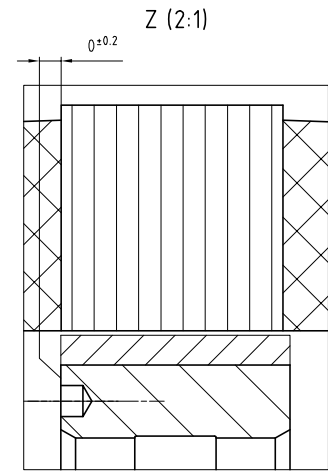
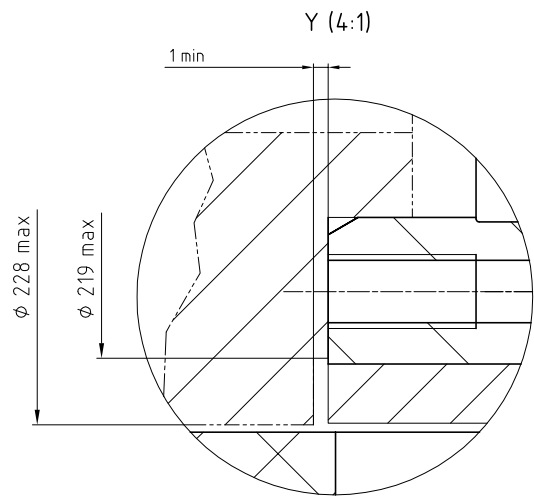


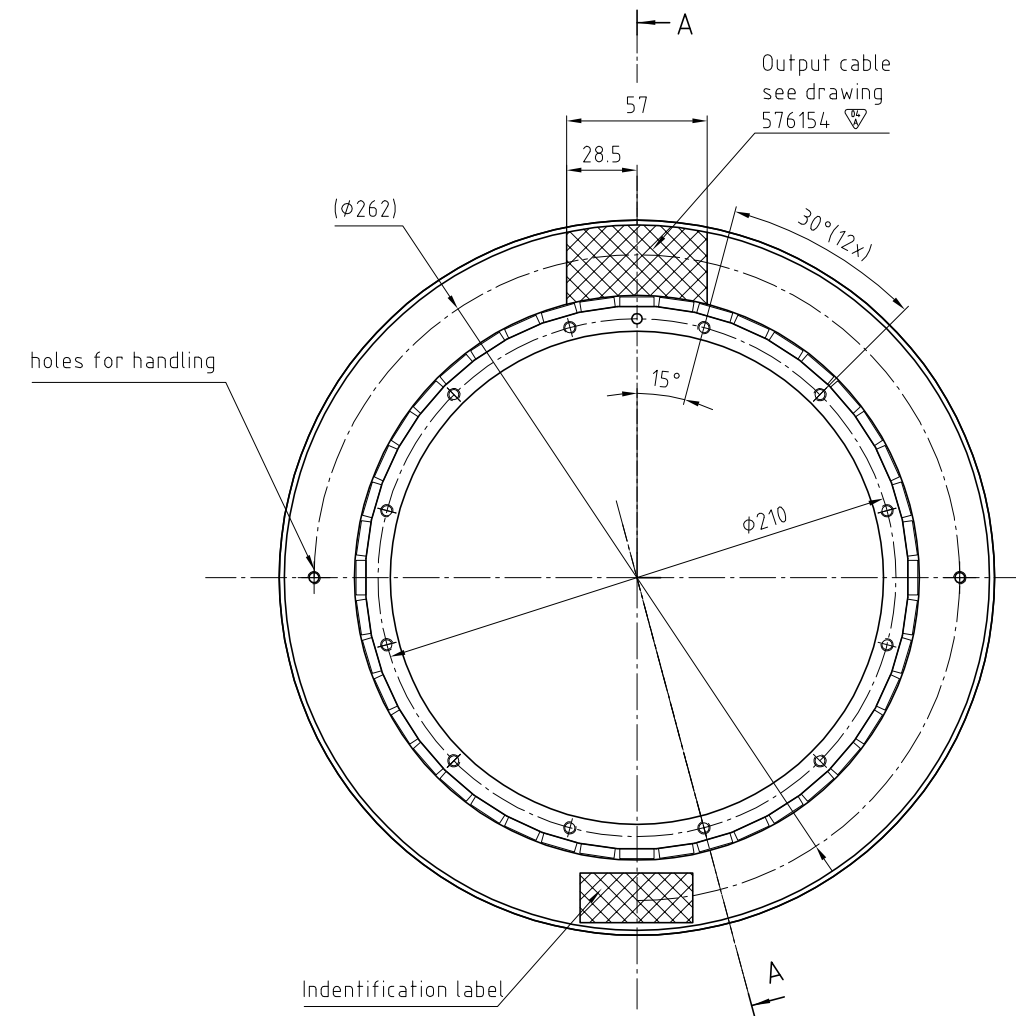
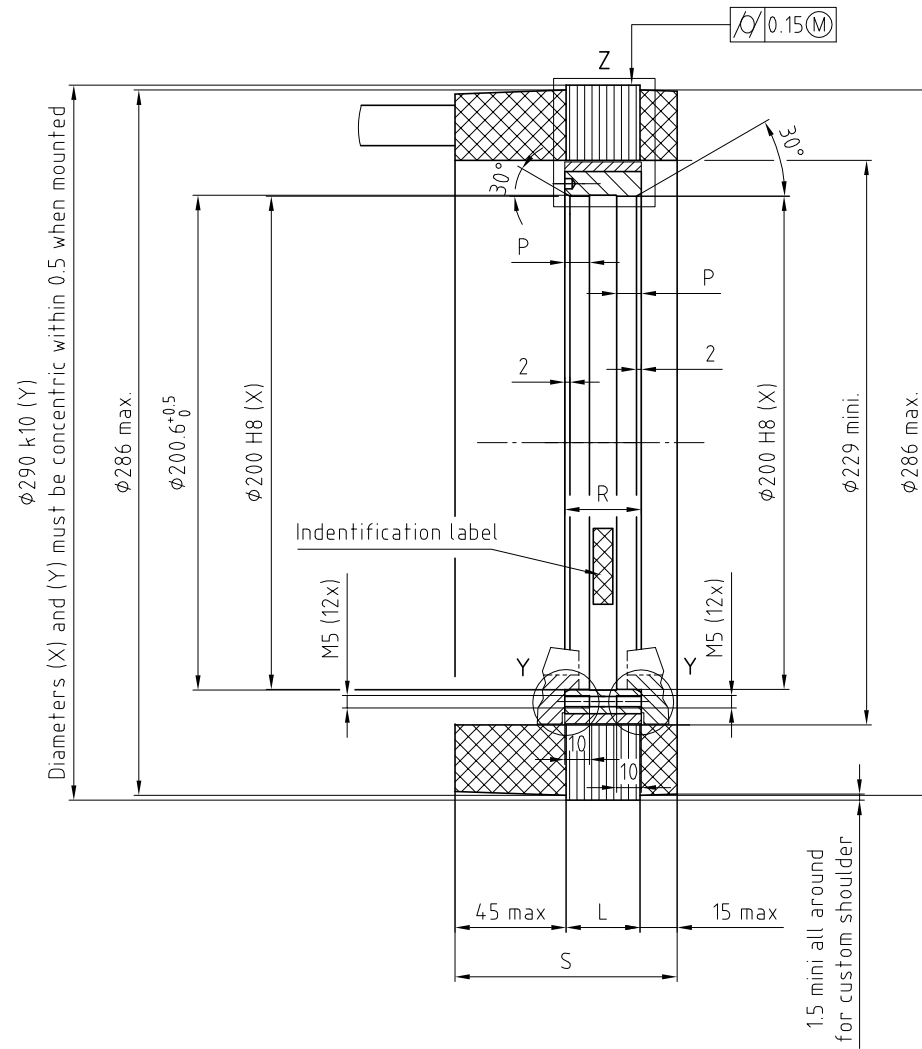
Mounting condition



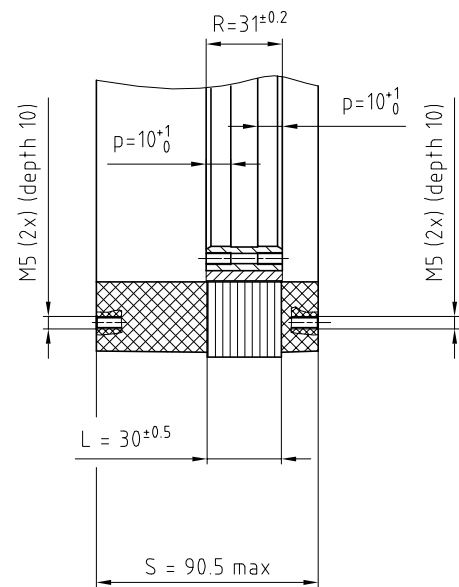
Detail: Y
Magnets safety clearance



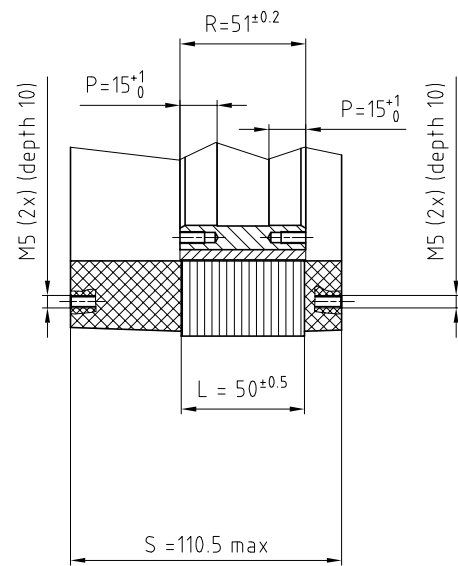
A-A



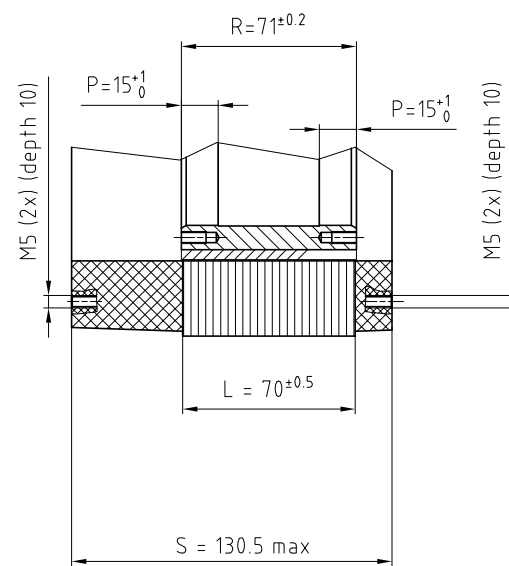
Tmm0291-030



Tmm0291-050



Tmm0291-070



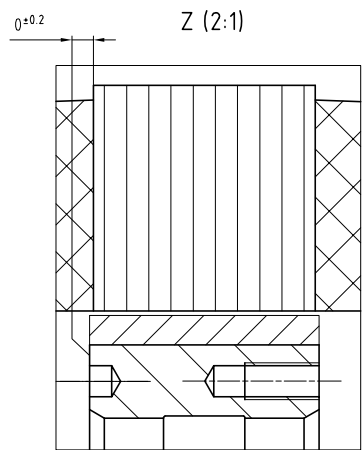
Power cable connection

- Phase 1 = Wire 1
- Phase 2 = Wire 2
- Phase 3 = Wire 3
- Ground = Wire yellow-Green
- Neutral = Wire 5 or Br1 or White
- Not connected = Wire 6 or Br2 or Black

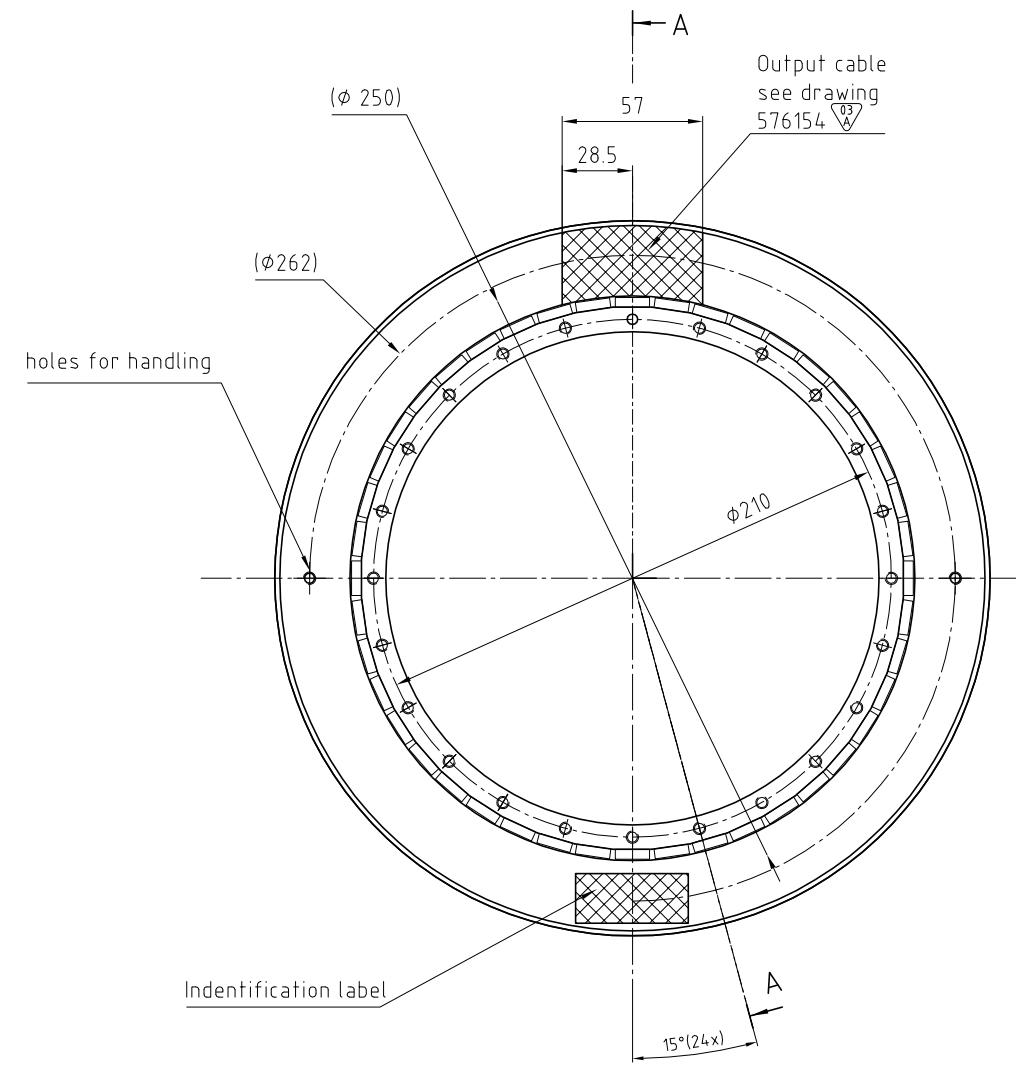
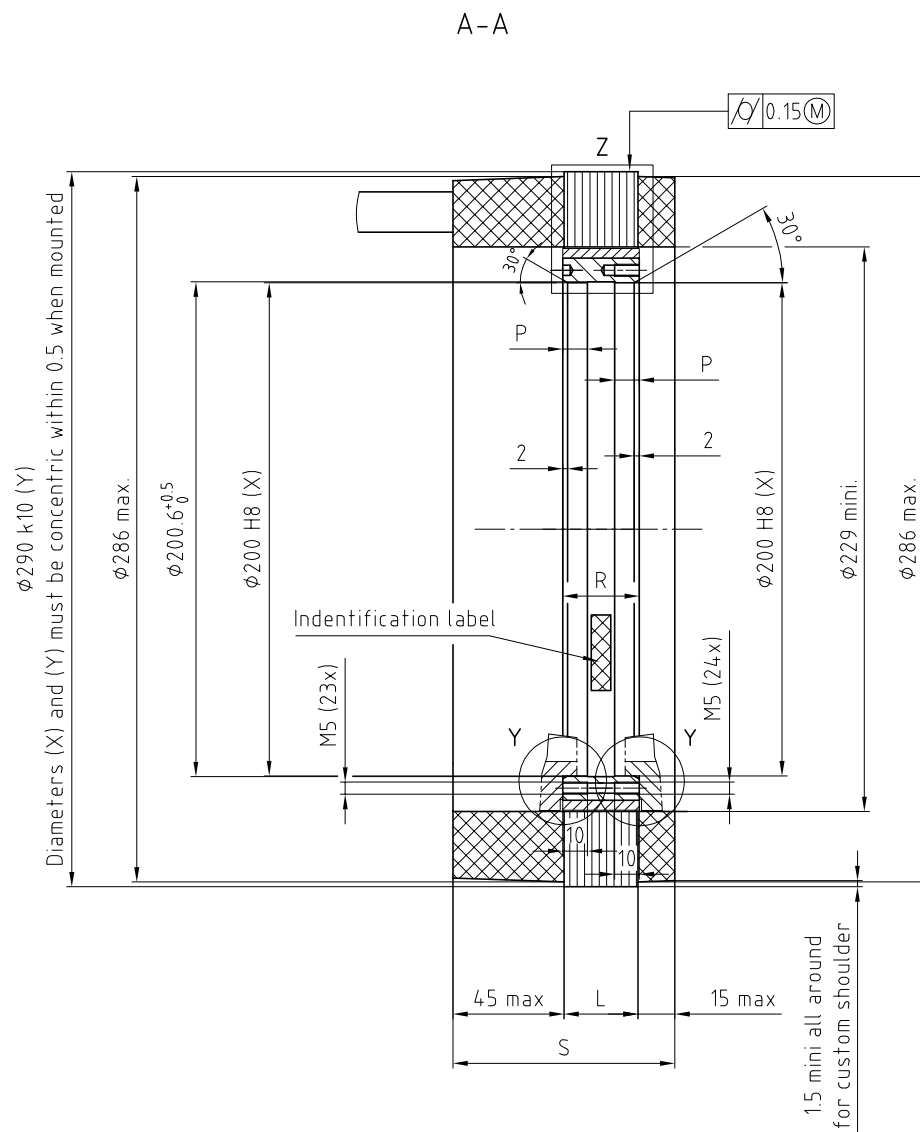
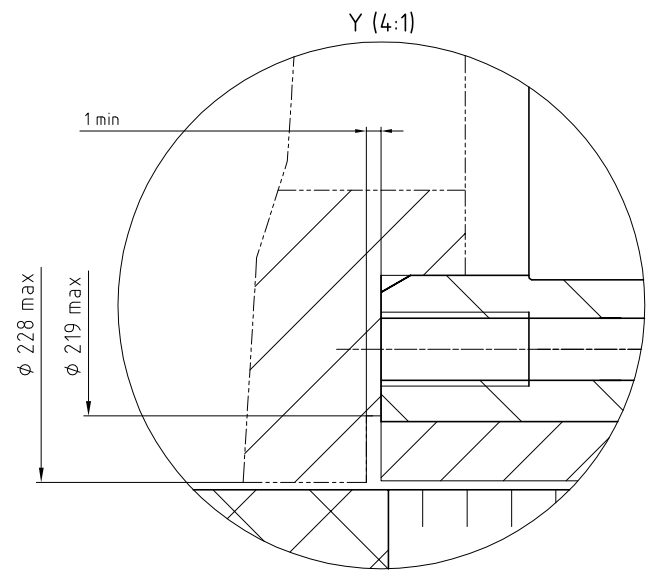
For temperature sensor configuration, see Handbook

| | | | | | | | |
|---|------------|--------------------|-------|-----------|--------------------|---------------------------|-----|
| ECO N° | 29021 | Nom | MB0 | Date | 23.10.2012 | Description | |
| <p>Principe de tolérancement de base ISO 8015 et tolérance générale selon ISO 2768-mk</p> | | | | | | | |
| Matériau | | Dimension nominale | | | | Equivalence rugosité | |
| | | Linéaire | Rayon | Chanfrein | Dimension nominale | Ra | µm |
| Remarque | | 0.5 - 3 | ±0.1 | ±0.2 | 10 | 0.05 | 0.4 |
| | | 3 - 6 | ±0.1 | ±0.5 | 10 | 0.1 | 0.4 |
| | | 6 - 30 | ±0.2 | ±1 | 30 | 0.2 | 0.4 |
| | | 30 - 120 | ±0.3 | ±2 | 100 | 0.4 | 0.6 |
| | | 120 - 400 | ±0.5 | ±4 | 300 | 0.6 | 0.6 |
| | | 400 - 1000 | ±0.8 | ±6 | 1000 | 0.8 | 0.8 |
| | | 1000 - 2000 | ±1.2 | ±10 | 1000 | 0.8 | 0.8 |
| Arêtes de formes ISO 13715 | | Torque motor | | | | Autre | |
| L=0.3 | | | | | | S. Perrot | |
| L=0.3 | | | | | | Vérificateur | |
| | | | | | | Libérateur | |
| | | | | | | 10.01.06 | |
| | | | | | | - | |
| | | | | | | 0.05 | |
| | | | | | | 0.025 | |
| | | | | | | N1 | |
| | | | | | | N2 | |
| | | | | | | N3 | |
| | | | | | | N4 | |
| | | | | | | N5 | |
| | | | | | | N6 | |
| | | | | | | N7 | |
| | | | | | | N8 | |
| | | | | | | N9 | |
| | | | | | | N10 | |
| | | | | | | N11 | |
| | | | | | | N12 | |
| φ 290 | k10 | ±0.21 | 290 | 21 | | | |
| φ 200 | H8 | ±0.072 | 200 | 072 | | | |
| Cote | Ajustement | 0 | 200 | 072 | | | |
| Interface drawing Tmm0291-030 / 050 / 070 | | Projetion | | Format | Echelle | Ancien n° : 0516m-i40-04d | |
| Ces plans sont notre propriété. Ils ne doivent pas, sans notre autorisation écrite, être copiés, reproduits, communiqués à des tiers. Leur utilisation est strictement réservée à ETEL S.A. | | A1 | | 1:1.5 | 582053 - 04- A-01 | | 1/1 |

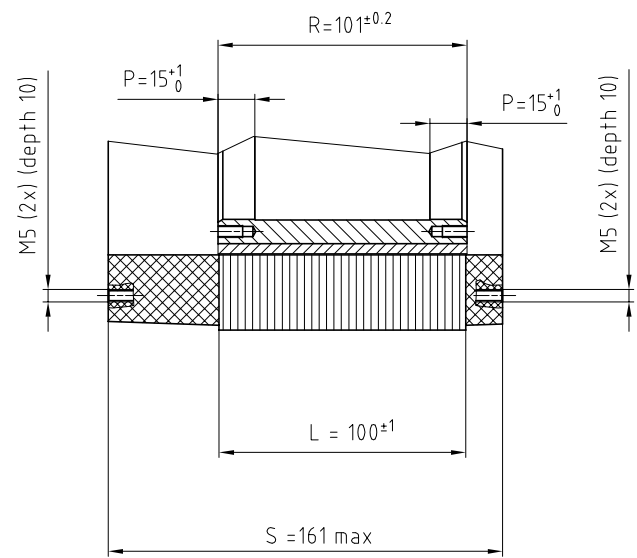
Mounting condition



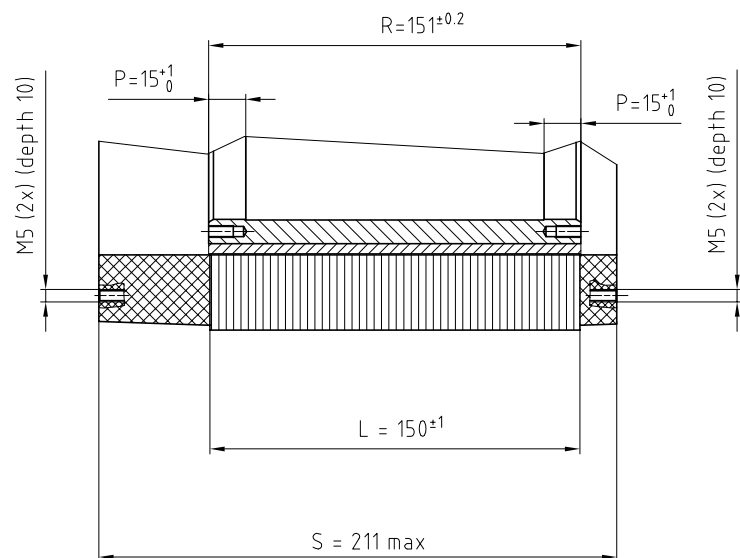
Detail: Y
Magnets safety clearance



Tmm0291-100



Tmm0291-150

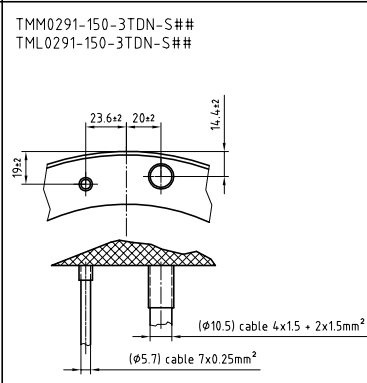
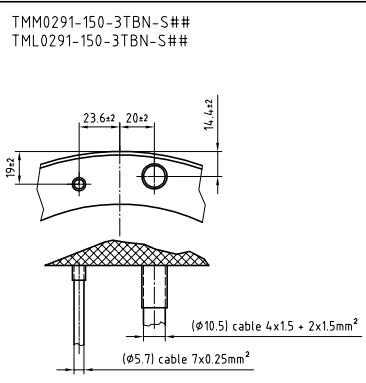
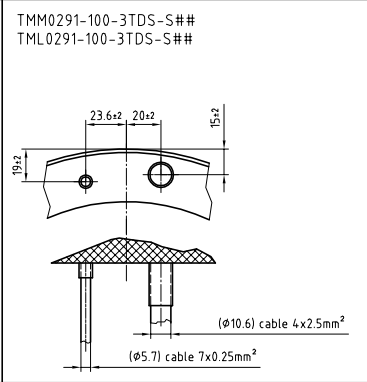
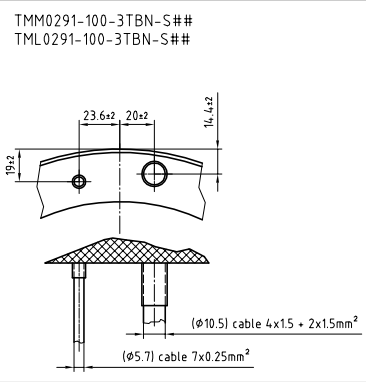
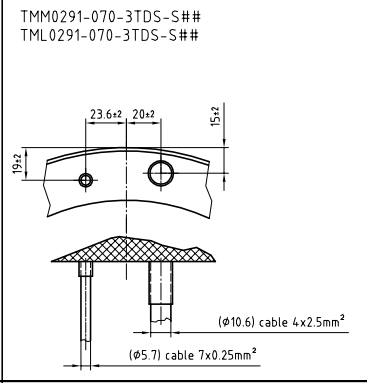
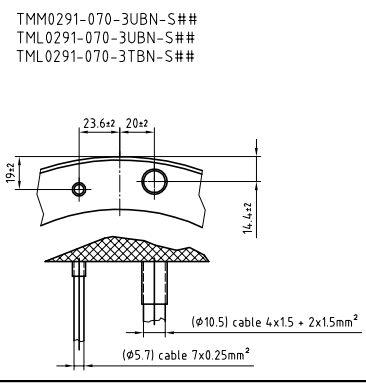
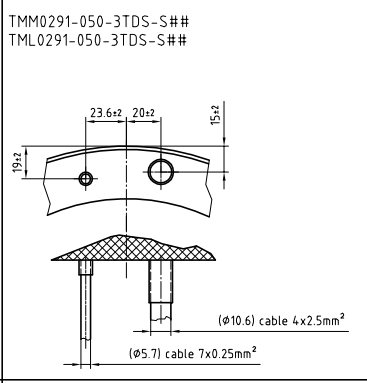
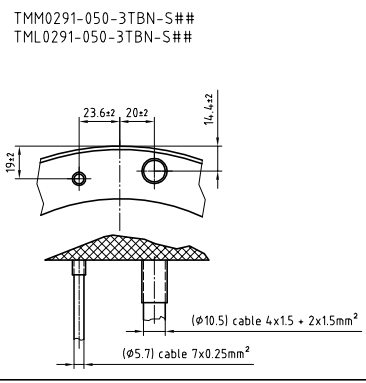
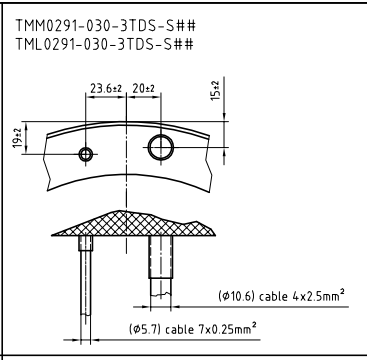
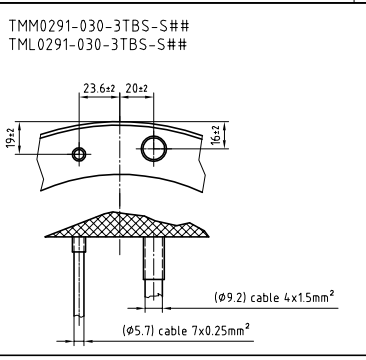


Power cable connection

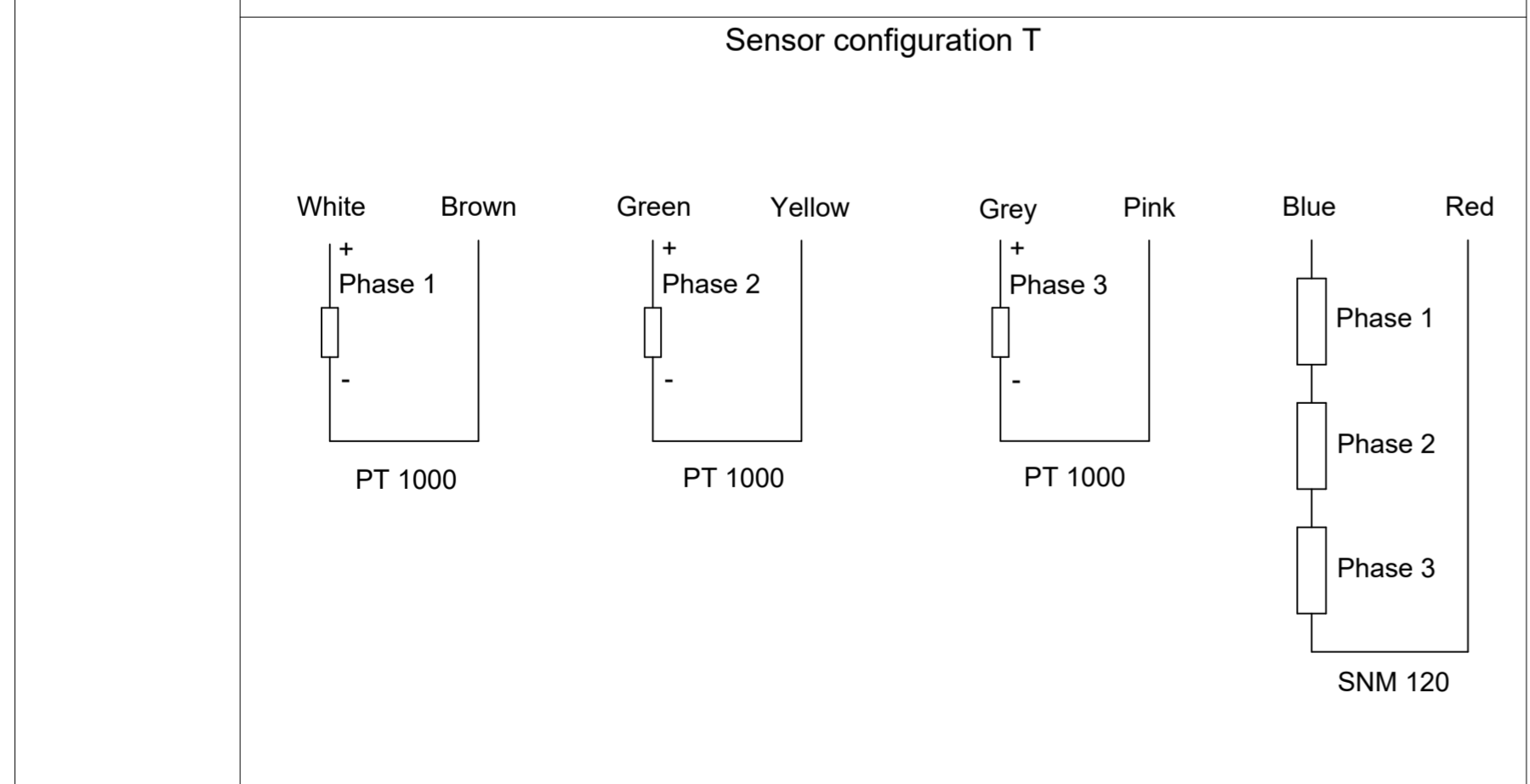
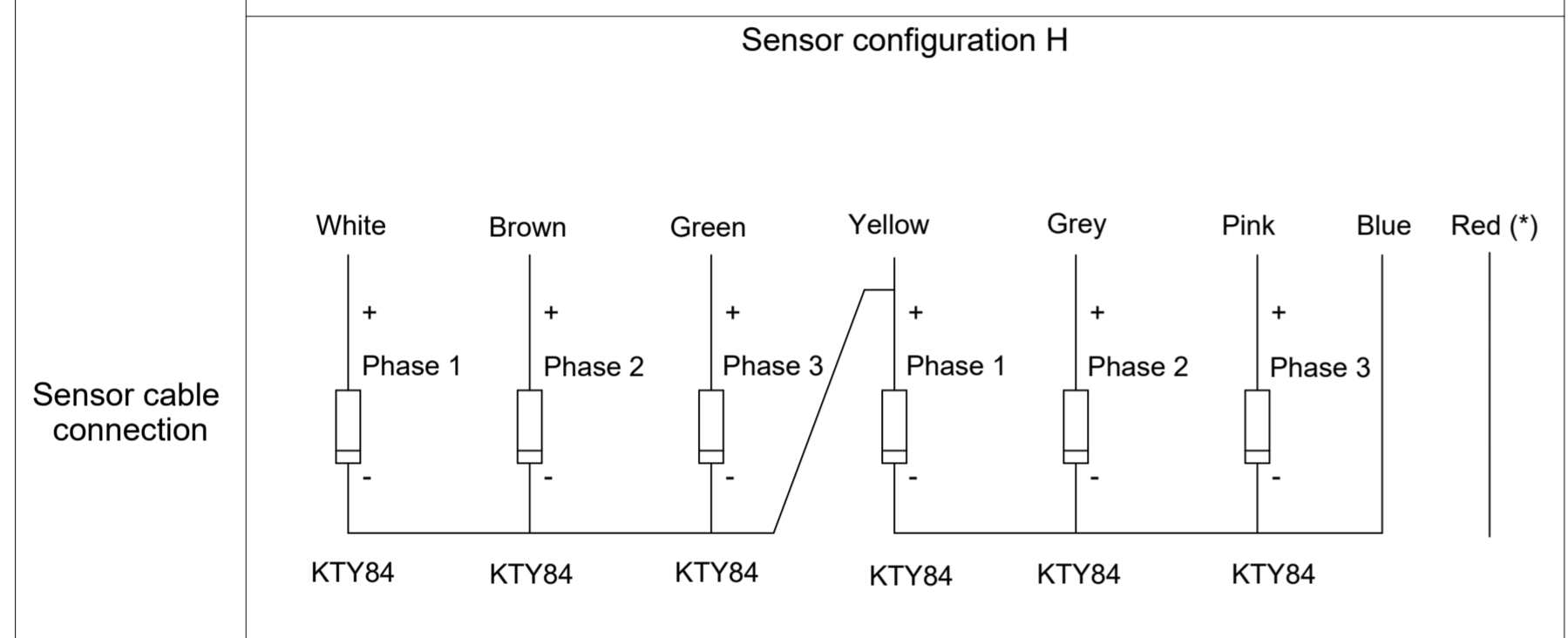
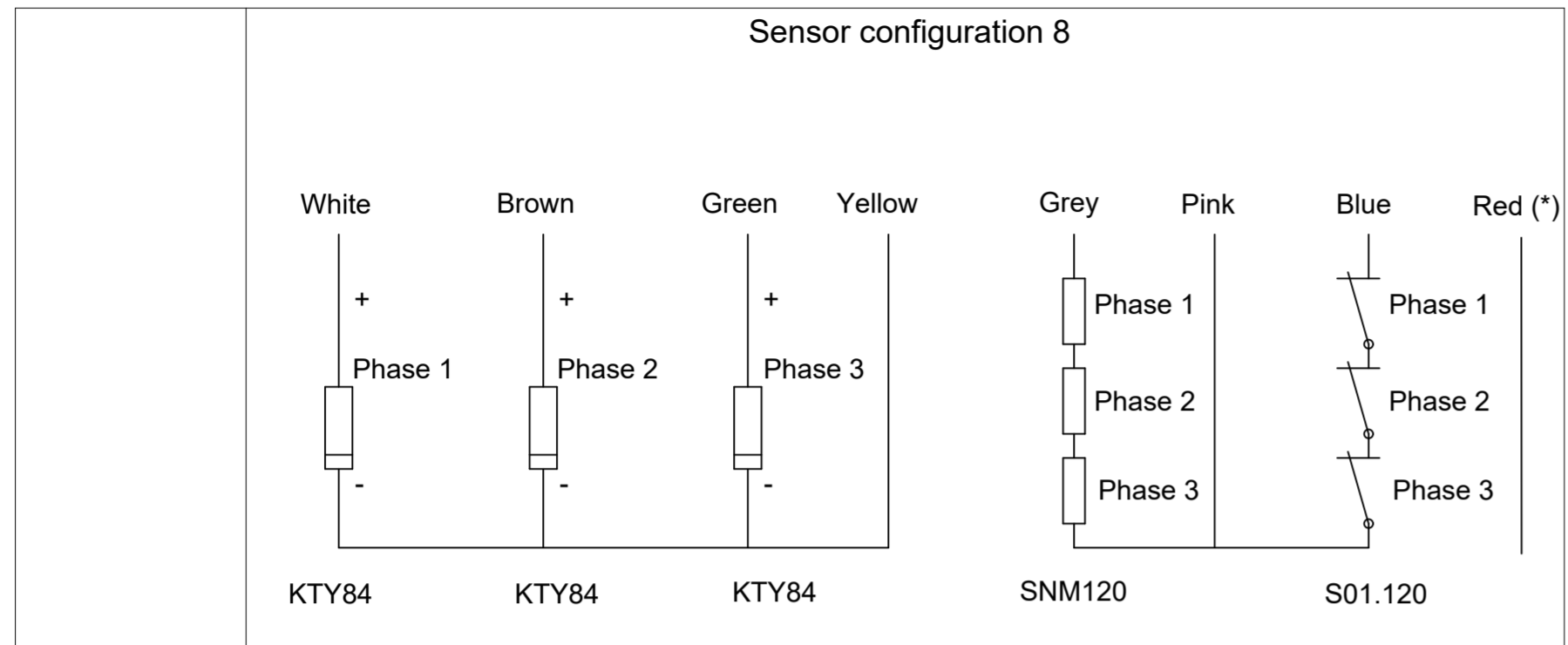
- Phase 1 = Wire 1
- Phase 2 = Wire 2
- Phase 3 = Wire 3
- Ground = Wire yellow-Green
- Neutral = Wire 5 or Br1 or White
- Not connected = Wire 6 or Br2 or Black

For temperature sensor configuration, see Handbook

| | | | | | | | | | | | | | | | |
|-------------------------------------|------------|--------------------|--------------|---|----------|--------------------|---|-----------------------|------|-----|-----|-------|-------|------------------------|--|
| ECO N° C29035 | Nom MBO | Date 25.10.2012 | Description: | Procédé de tolérancement de base ISO 8015 et tolérance générale selon ISO 2768-mk | | | | | | | | | | Equivalence ruggi/6 | |
| Matière: | | | | Dimension nominale | Linéaire | Rayon Chanfrein | α | Dimension nominale | □ | □ | □ | □ | Ra μm | Classe | |
| Remarque: | | | | 0,5 - 3 | ±0,1 | ±0,2 | | 10 | 0,05 | 0,4 | 0,6 | 50 | N12 | | |
| Annexe: | | | | 3 - 6 | ±0,1 | ±0,5 | | 10 - 30 | 0,1 | 0,4 | 0,6 | 25 | N11 | | |
| | | | | 6 - 30 | ±0,2 | ±1 | | 30 - 100 | 0,2 | 0,4 | 0,6 | 12,5 | N10 | | |
| | | | | 30 - 120 | ±0,3 | ±2 | | 100 - 300 | 0,4 | 0,6 | 0,8 | 6,3 | N9 | | |
| | | | | 120 - 400 | ±0,5 | ±4 | | 300 - 1000 | 0,6 | 0,8 | 0,8 | 3,2 | N8 | | |
| | | | | 400 - 1000 | ±0,8 | ±6 | | 1000 - 3000 | 0,8 | 1 | 1 | 1,6 | N7 | | |
| | | | | 1000 - 2000 | ±1,2 | ±10 | | | | | | 0,8 | N6 | | |
| | | | | | | | | | | | | 0,4 | N5 | | |
| | | | | | | | | | | | | 0,2 | N4 | | |
| | | | | | | | | | | | | 0,1 | N3 | | |
| | | | | | | | | | | | | 0,05 | N2 | | |
| | | | | | | | | | | | | 0,025 | N1 | | |
| Arêtes de formes ISO 13715 | | | | Torque motor | | | | | | | | | | | |
| Autheur | | | | S. Perrot | | | | | | | | | | | |
| Vérificateur | | | | | | | | | | | | | | | |
| Libérateur | | | | | | | | | | | | | | | |
| Date | | | | 12.04.06 | | | | | | | | | | | |
| Interface drawing Tmm0291-100 / 150 | | | | Ancien n° : 0516m-i4-0-05c | | | | | | | | | | | |
| Cote | | | | Ajustement | | | | | | | | | | | |
| Projection | | | | A1 | | | | | | | | | | | |
| Format | | | | A1 | | | | | | | | | | | |
| Echelle | | | | 1:1.5 | | | | | | | | | | | |
| Version | | | | 588613 - 03- A-01 | | | | | | | | | | | |
| Revision | | | | | | | | | | | | | | | |
| Feuille | | | | 1/1 | | | | | | | | | | | |
| Page | | | | | | | | | | | | | | | |



| | | | | | | |
|--|-----|----------|------------------------------|---|--------|----------------|
| FSM N° | Non | Date | Description | | | |
| C664366-5 | REV | 05.10.17 | Elaboré output cable removed | | | |
| Matière: | | | | Équivalence rugosité | | |
| Remarque: | | | | 50 µm | Classe | |
| Annexe: | | | | 1.6 | WT | 25 |
| | | | | 0.5 | WT | 0.5 |
| | | | | 6.3 | WT | 3.2 |
| | | | | 1.6 | WT | 1.6 |
| | | | | 0.8 | WT | 0.8 |
| | | | | 0.4 | WT | 0.4 |
| | | | | 0.2 | WT | 0.2 |
| | | | | 0.1 | WT | 0.1 |
| | | | | 0.05 | WT | 0.05 |
| | | | | 0.025 | WT | 0.025 |
| Arêtes de formes ISO 9315 | | | | Torque motor TMM & TML0291 cables outputs | | |
| 1x3 | | | | S. Bernini | | |
| 2x3 | | | | 22.09.2005 | | |
| Meilleur coupleur for TMM & TML0291 series de câbles | | | | | | |
| ETEL SA CH-2700 Nyon SWITZERLAND Tous droits réservés. Toute réimpression sans autorisation est formellement interdite. Production de documents réservés à l'usage interne. Toute réimpression sans autorisation est formellement interdite. | | | | Projection | Format | Echelle |
| | | | | 1 | A1 | |
| | | | | Access n° | | 05.16m-14.0-01 |
| | | | | Version | | Revision |
| | | | | Feuille | | Page |
| | | | | 576154 | | -06-A-01 |



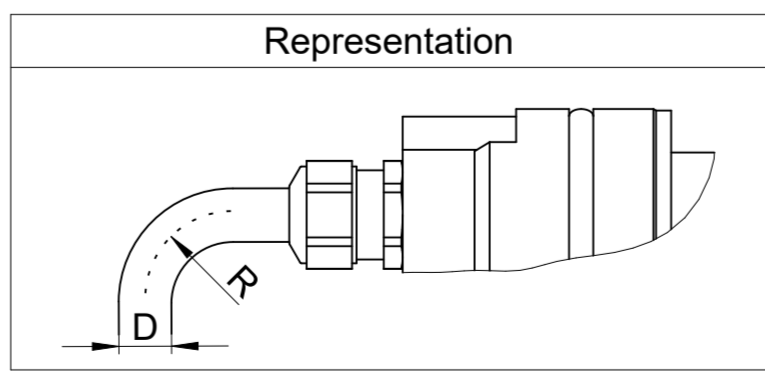
Power cable connection

| Color and wire number | Function | Drawing |
|---|---|---------|
| Black wire with number 1 or U | Phase 1 (PH1) | |
| Black wire with number 2 or V | Phase 2 (PH2) | |
| Black wire with number 3 or W | Phase 3 (PH3) | |
| Yellow and green wire | Ground (GND) | |
| Black wire with number Br1 or 5 or white cable | Neutral point wire (present only on some motor types) | |
| Black wire with number Br2 or 6 or black wire without label | None(**) | |

(**): This wire is automatically present when the neutral point wire (which is an option) is added in the motor as it is a 2 x 1.5 mm² cable.

Wire section (mm²)

| Characteristics | 4 x 1.5 | 4 x 1.5 + 2 x 1.5 | 4 x 2.5 | 4 x 2.5 + 2 x 1.5 | 4 x 4 | 4 x 4 + 2 x 1.5 | 4 x 10 | 4 x 10 + 2 x 1.5 | Sensor cable |
|--------------------------------------|--|--|--------------|-------------------|----------------------|----------------------|--------------|------------------|---------------|
| Applicable motors: TMM / TML | 0140 0175 0210 0291 0360 0450 | 0175 0210 0291 0360 0450 0530 | 0291 0360 | 0360 0530 | 0360 0450 0530 | 0360 0450 0530 | 0450 0530 | 0530 | All TMM / TML |
| Minimum bend radius for fixed cable | R = 4 X D | R = 5 X D | R = 4 X D | R = 5 X D | R = 4 X D | R = 4 X D | R = 4 X D | R = 4 X D | R = 6 X D |
| Minimum bend radius for moving cable | R = 7.5 X D | R = 7.5 X D | R = 7.5 X D | R = 7.5 X D | R = 7.5 X D | R = 7.5 X D | R = 7.5 X D | R = 7.5 X D | R = 12 X D |



(*): Red wire (if present) is not connected on the motor side and cutted flush on cable extremity.

| | | | |
|---|--|---|--|
| Text: | | ID number: | |
| Original drawing | | Change No. C145178-05 | |
| Scale | | Released: 20-Sep-22 | |
| Format | | TMM / TML sensor config. and cables prop. (interface) | |
| Dimensions in mm | | TMM / TML config. capteur et prop. câbles (interface) | |
| 1:1 | | A2 | |
| | | Mating Dimensions / Cotes d'encombrement | |
| | | Tolerances as per ISO 8015 : 2011 | |
| | | Tolérances selon ISO 8015 : 2011 | |
| | | Dimensions without tolerance ± 0,2 | |
| | | Dimensions sans tolérances | |
| The reproduction, distribution and utilization of this document as well as the communication of its contents to others without express authorization is prohibited. Offenders will be held liable for the payment of damages. All rights reserved in the event of the grant of a patent, utility model or design. (ISO 16016) | | | |
| ETEL | | ETEL S.A. 2112 Môtiers SWITZERLAND | |
| | | Version Revision Sheet Page | |
| | | 1389869-00-A-01 | |
| | | Document number | |
| | | 1 of 1 | |