

⚠ Use M10 screws with 12.9 quality to assemble rotor and stator

PRODUCT	L1	L2	L3	N1	N2	N3	β
TMK-0991-050	130	81	60	24	24	12	15°
TMK-0991-070	150	101	80	24	24	12	15°
TMK-0991-100	180	131	110	48	48	23	7.5°
TMK-0991-150	230	181	160	48	48	23	7.5°

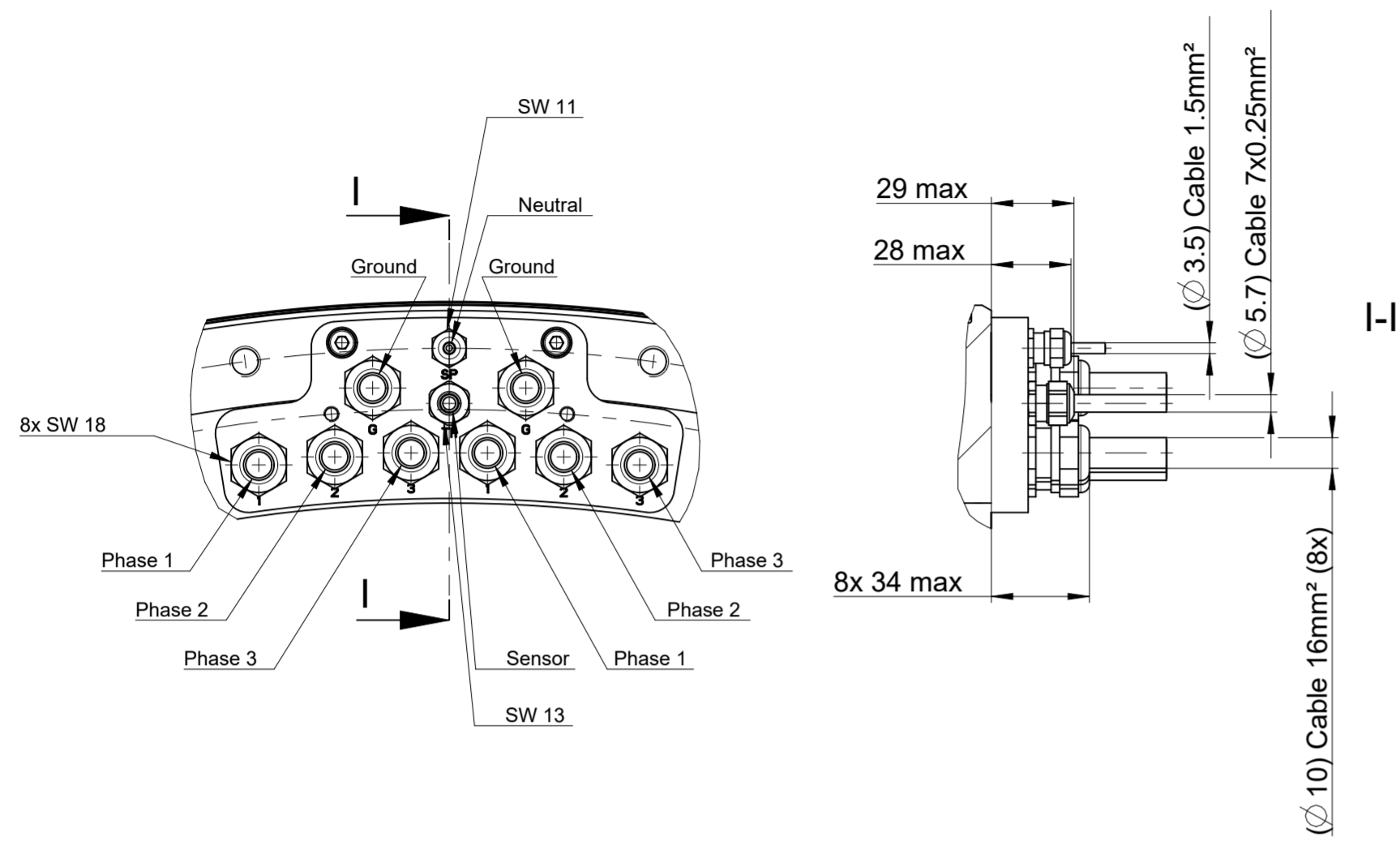
Original drawing		Torque motor TMK0991 (interface)		ID number
Scale	Format	Moteur coupleur fer TMK0991 (interface)		Change No. C124601-06
RoHS 3:10 A0				Released: 24.02.2022
Dimensions in mm / Cotes en mm		Matting Dimensions / Cotes d'assemblage		Material:
Workpiece edges ISO 13715		General tolerances ISO 2768-mK		Surface as per ISO 1302
Angles of forms selon ISO 13715		Tolerances générales ISO 2768-mK		Etats de surface selon ISO 1302
L2.3		Tolerances as per ISO 8015:2011		Surface treatment:
L2.0		Tolerances selon ISO 8015:2011		Traitement de surface:

The reproduction, distribution and utilization of this document as well as the communication of its contents to others without express authorization is prohibited. Offenders will be held liable for the payment of damages. All rights reserved in the event of the grant of a patent, utility model or design. (ISO 15016)

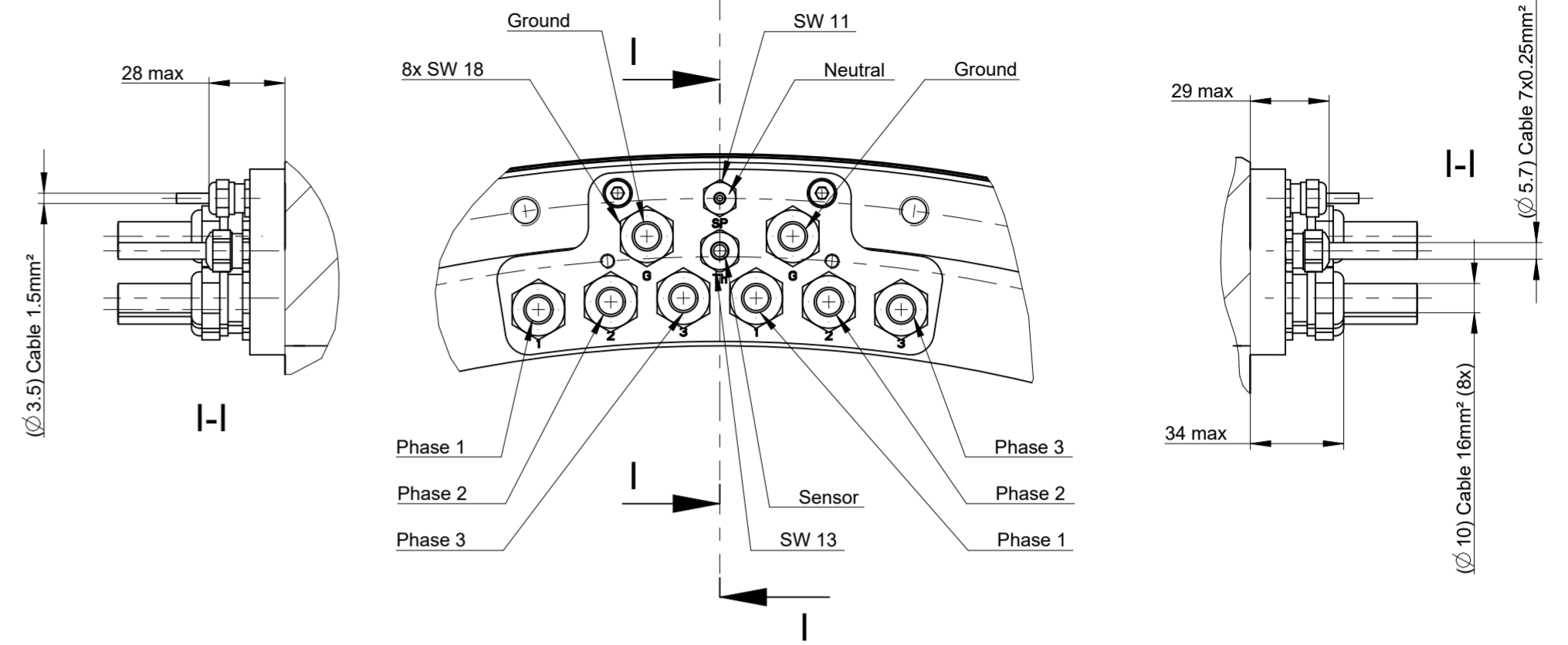
ETEL ETEL S.A. 2112 Môtiers SWITZERLAND

812291-09-A-01

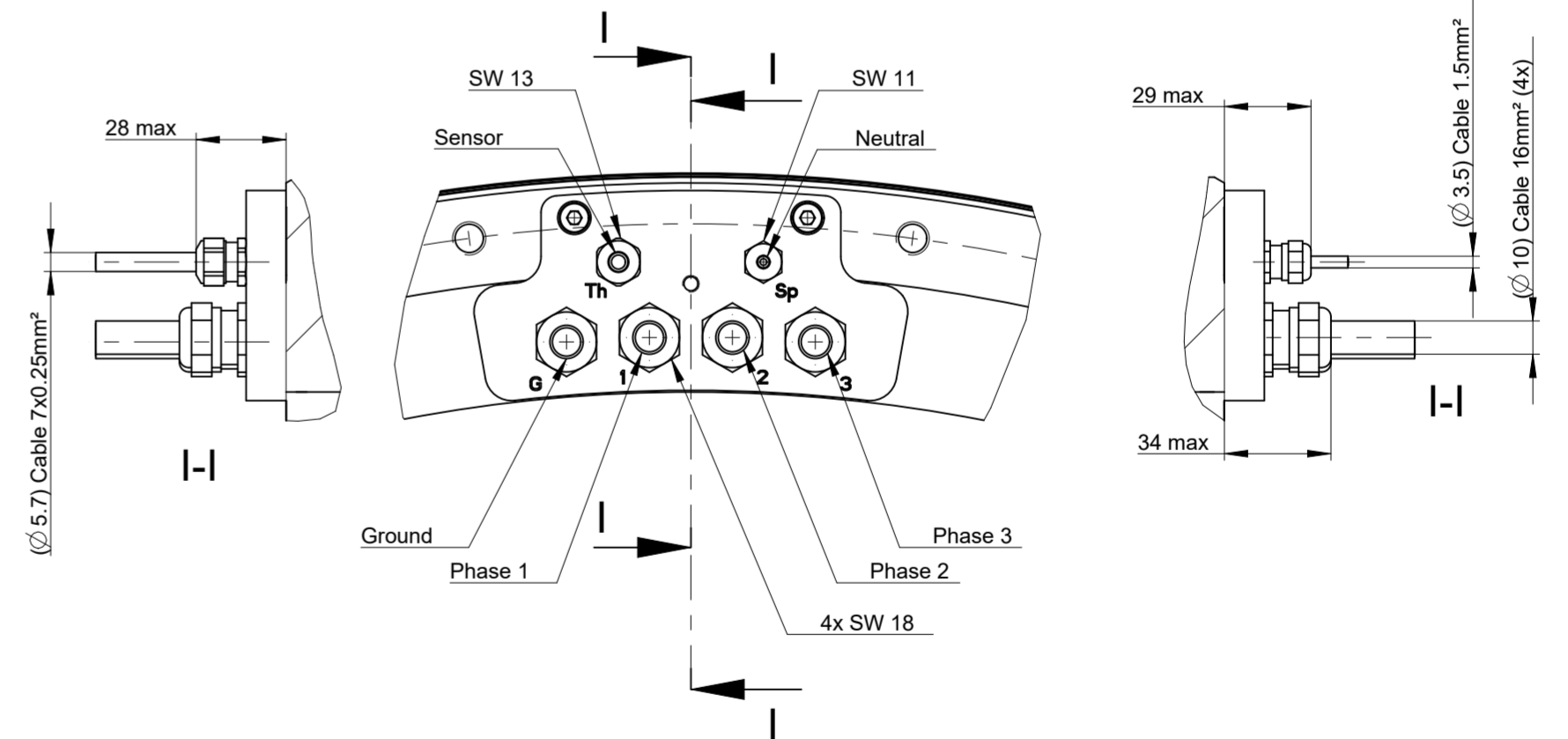
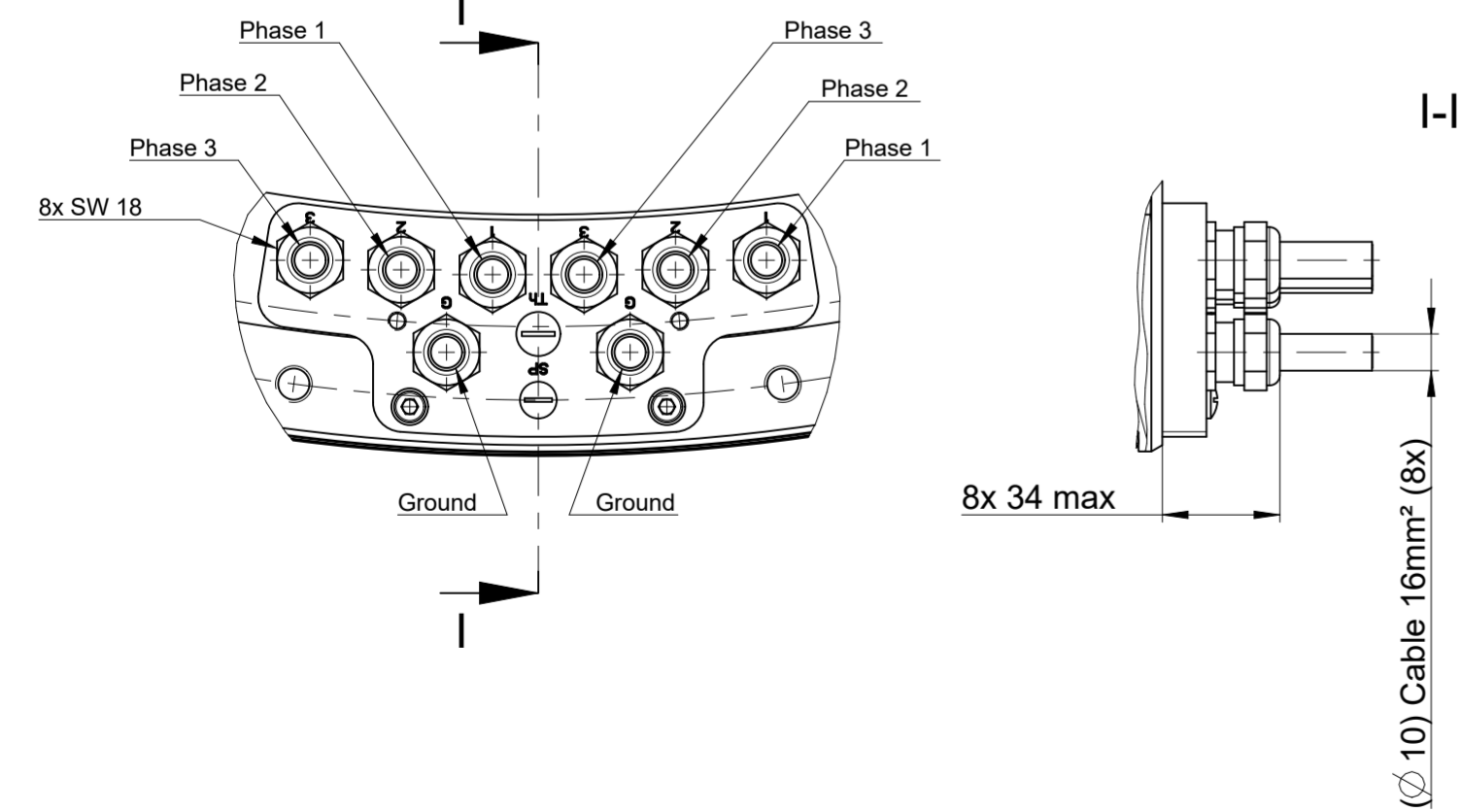
TMK0991-3UZN-U##



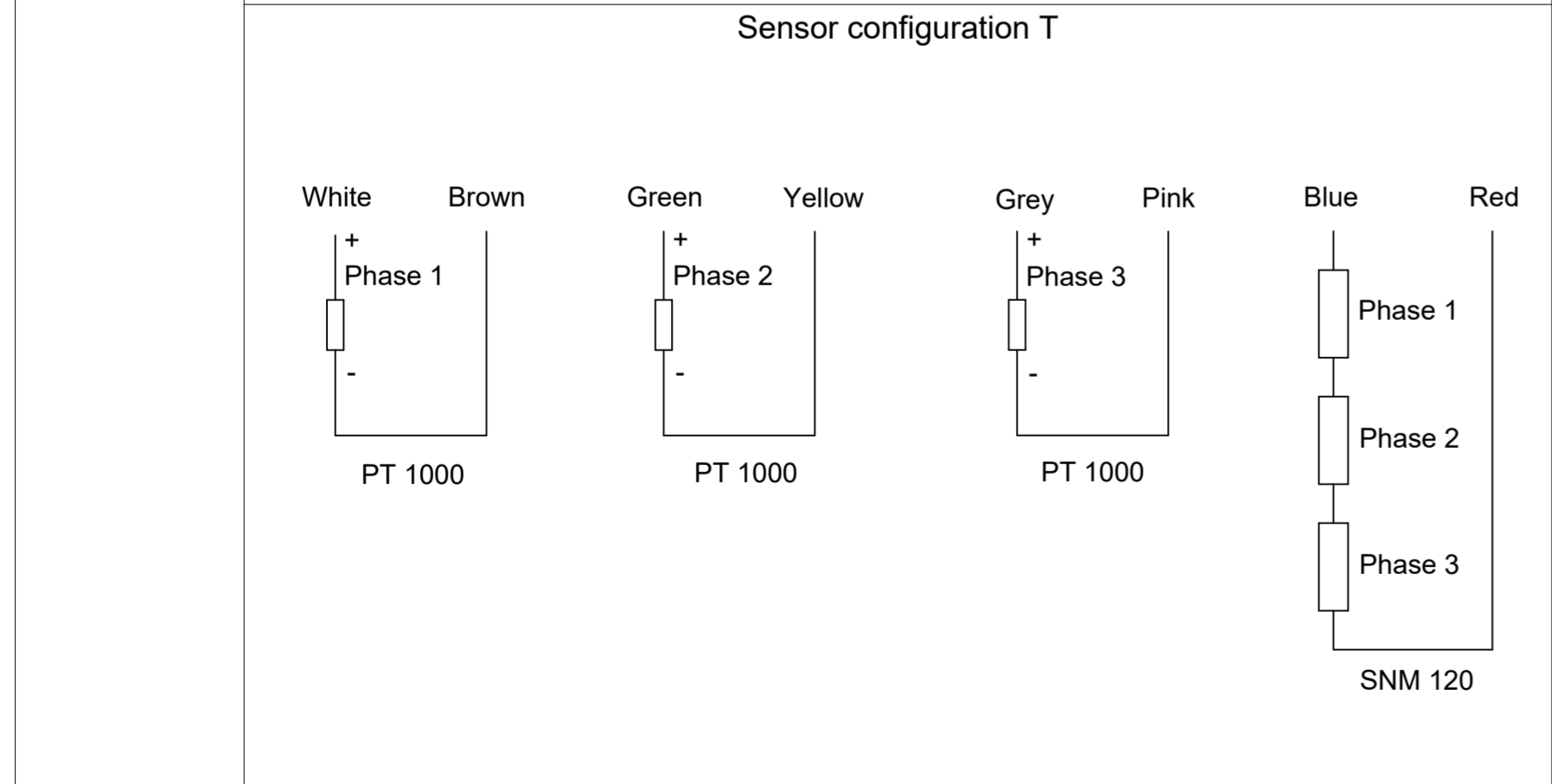
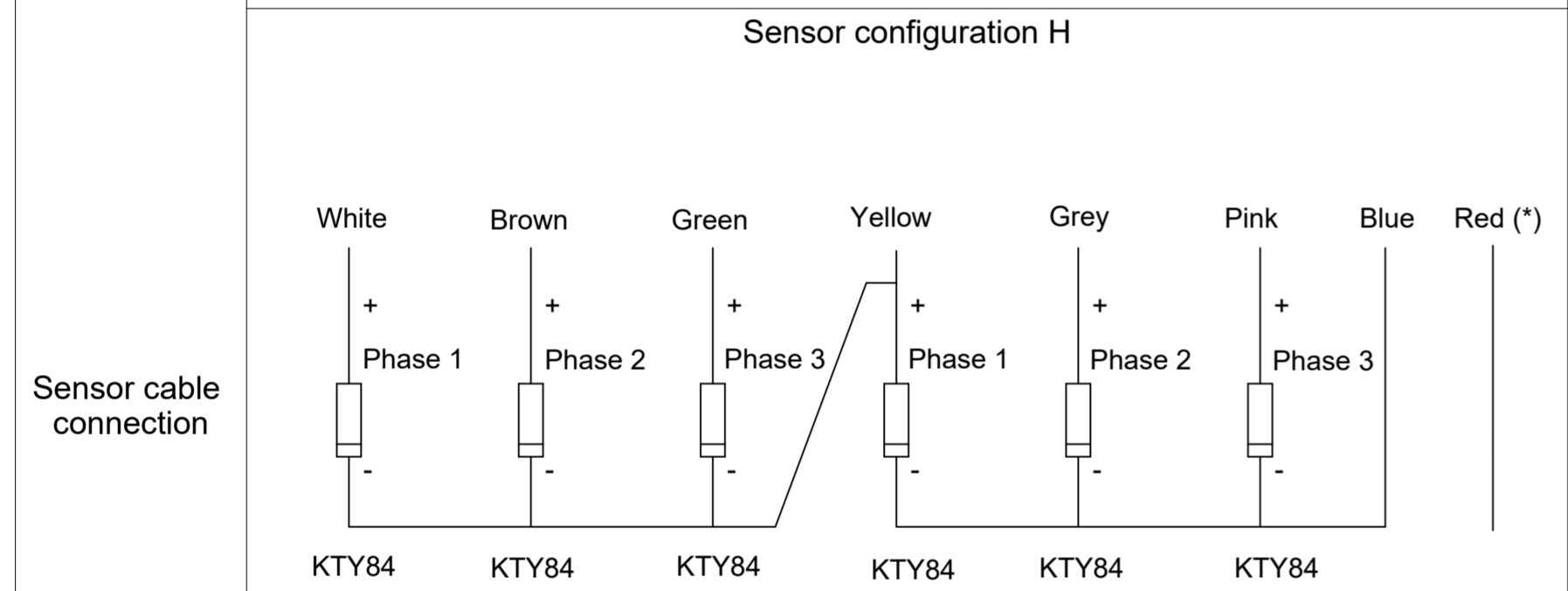
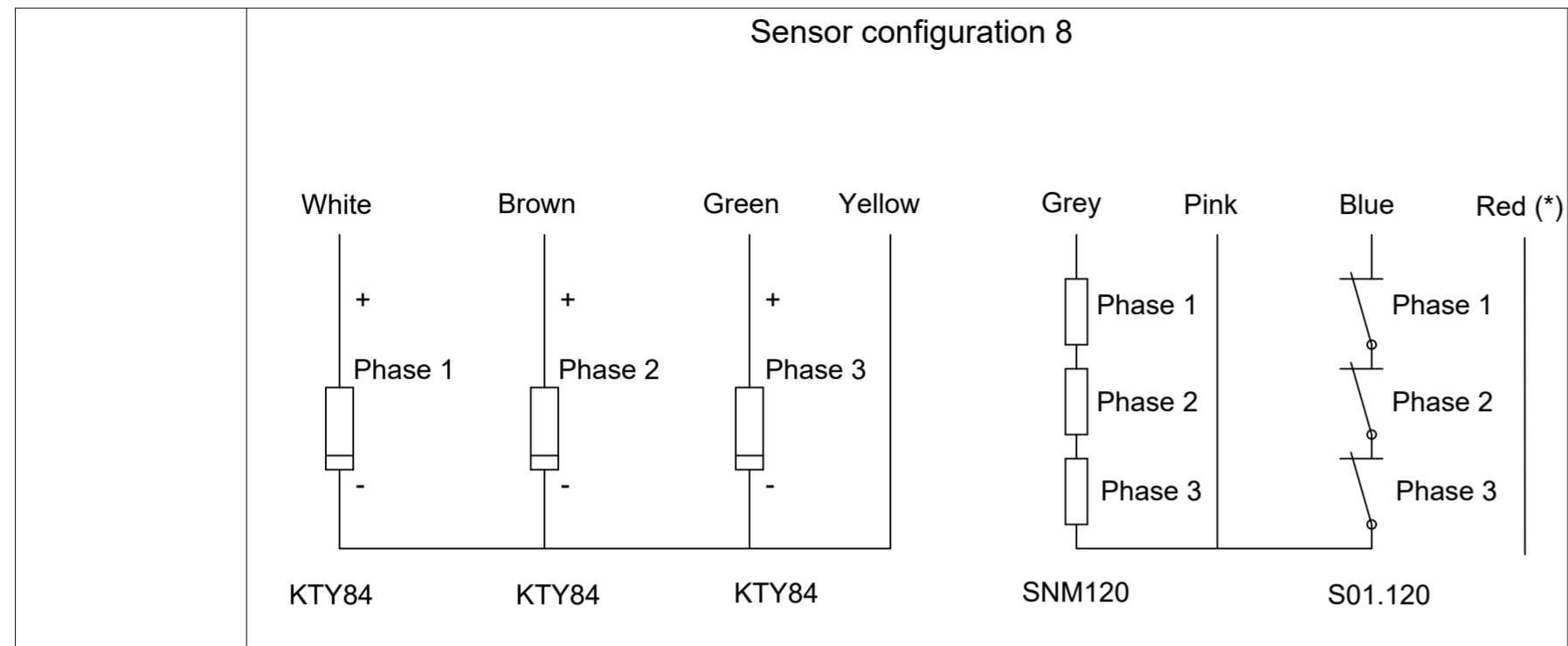
TMK0991-3UPN-U##



TMK0991-3SPN-U##



Text:		ID number	
Original drawing Scale: 1:2 Format: A2		Change No. C124601-06 Released: 24.02.2022	
RoHS	1:2	Torque motor TMK0991 cables outputs (interface) Moteur couple fer TMK0991 sorties de câbles (interface)	
Dimensions in mm / Cotes en mm		Mating Dimensions / Cotes d'encombrement	
Workpiece edges ISO 13715 Arêtes de formes selon ISO 13715		General tolerances ISO 2768-mK Tolérances générales ISO 2768-mK	
Surfaces as per ISO 1302 Etats de surface selon ISO 1302		Surface treatment: Traitement de surface:	
The reproduction, distribution and utilization of this document as well as the communication of its contents to others without express authorization is prohibited. Offenders will be held liable for the payment of damages. All rights reserved in the event of the grant of a patent, utility model or design. (ISO 16016)			
ETEL ETEL S.A. 2112 Môtiers SWITZERLAND		Version/Revision/Sheet/ Page 812291-09-A-02 1 of 1	



(*): Red wire (if present) is not connected on the motor side and cutted flush on cable extremity.

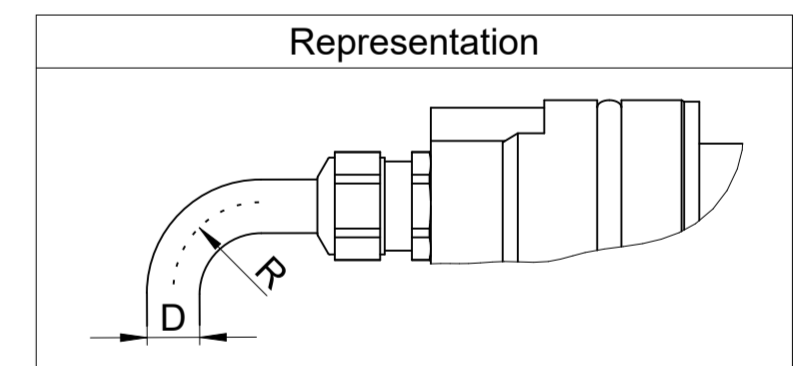
Power cable connection

Color and wire number	Function	Drawing
Black wire with number 1 or U	Phase 1 (PH1)	
Black wire with number 2 or V	Phase 2 (PH2)	
Black wire with number 3 or W	Phase 3 (PH3)	
Yellow and green wire	Ground (GND)	
Black wire with number Br1 or 5 or white cable	Neutral point wire (present only on some motor types)	
Black wire with number Br2 or 6 or black wire without label	None(**)	

(**): This wire is automatically present when the neutral point wire (which is an option) is added in the motor as it is a 2 x 1 or 2 x 1.5 mm² cable.

Wire section (mm²)

Characteristics	1 x 1.5	1 x 2.5	1 x 4	1 x 6	1 x 10	1 x 16	Sensor cable
Applicable motors	TMK0291 TMK0360 TMK0761 TMK0991	TMK0175 TMK0291 TMK0360 TMK0530	TMK0360	TMK0175 TMK0360 TMK0530	TMK0291 TMK0530 TMK0761	TMK0360 TMK0530 TMK0761 TMK0991	All TMK
Minimum bend radius for fixed cable	R = 5 X D	R = 4 X D	R = 4 X D	R = 4 X D	R = 4 X D	R = 4 X D	R = 6 X D
Minimum bend radius for moving cable	R = 10 x D	R = 7.5 X D	R = 7.5 X D	R = 7.5 X D	R = 7.5 X D	R = 7.5 X D	R = 12 X D



Text:		Original drawing Scale: 1:1 Format: A2		TMK sensor config. and cables prop. (interface)		ID number	
RoHS		1:1 A2		TMK config. capteur et prop. câbles (interface)		Change No. C115144-05 Released: 18.09.2020	
Workpiece edges ISO 13715 Arêtes de formes selon ISO 13715		General tolerances ISO 2768-mK Tolérances générales ISO 2768-mK		Surfaces as per ISO 1302 Etats de surface selon ISO 1302		Material: Matière:	
Tolerances as per ISO 8015 : 2011 Tolérances selon ISO 8015 : 2011		Surface treatment: Traitement de surface:		Version/Revision/Sheet		Page	
ETEL		ETEL S.A. 2112 Môtiers SWITZERLAND		1328572-00-A-01		1 of 1	
				Document number			