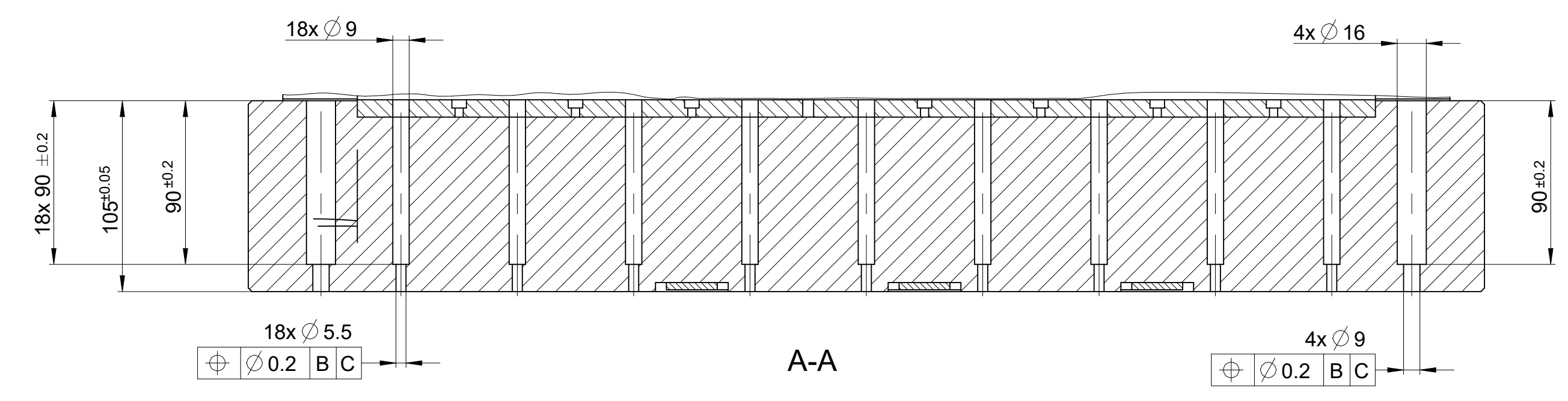
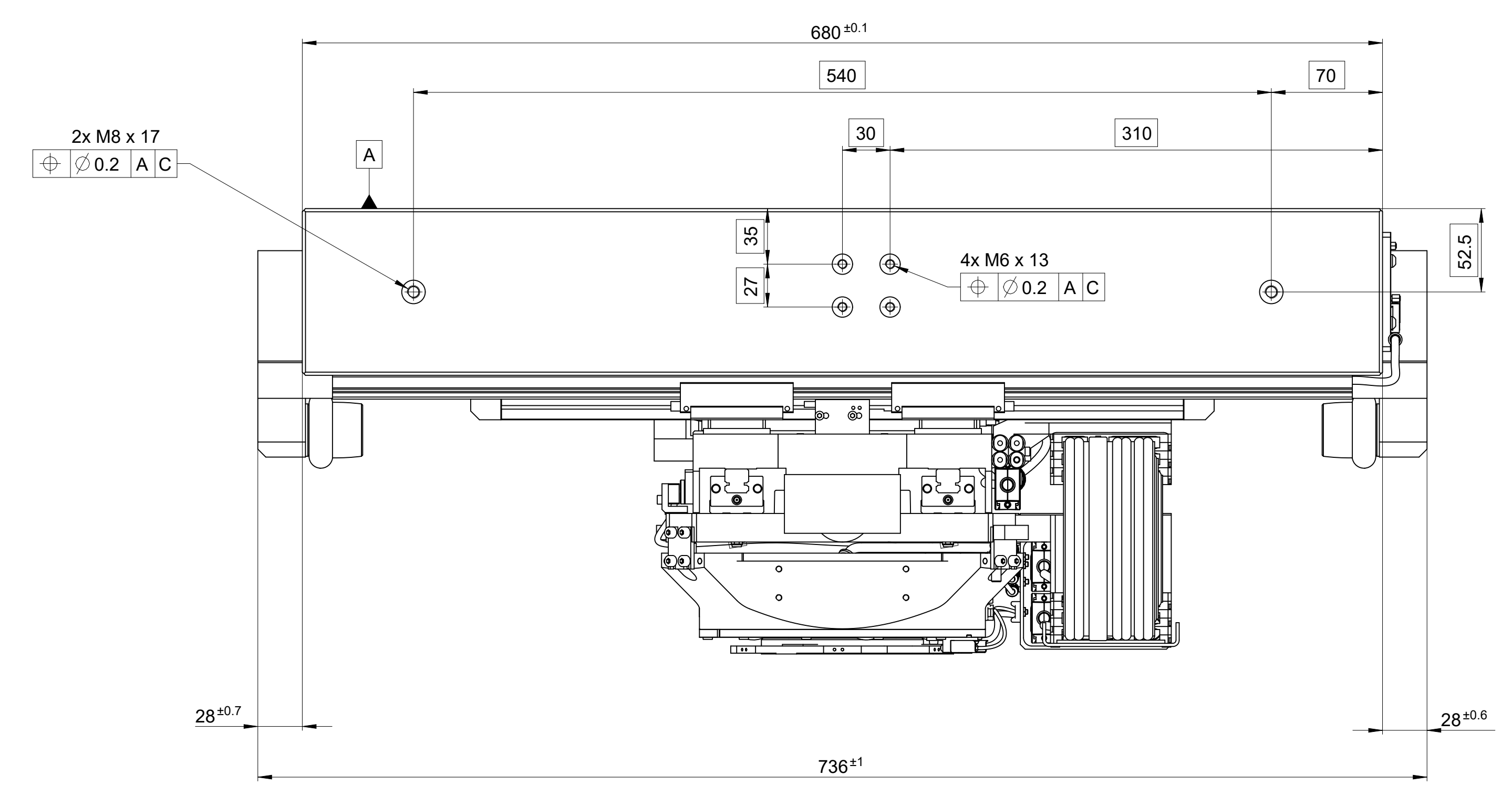
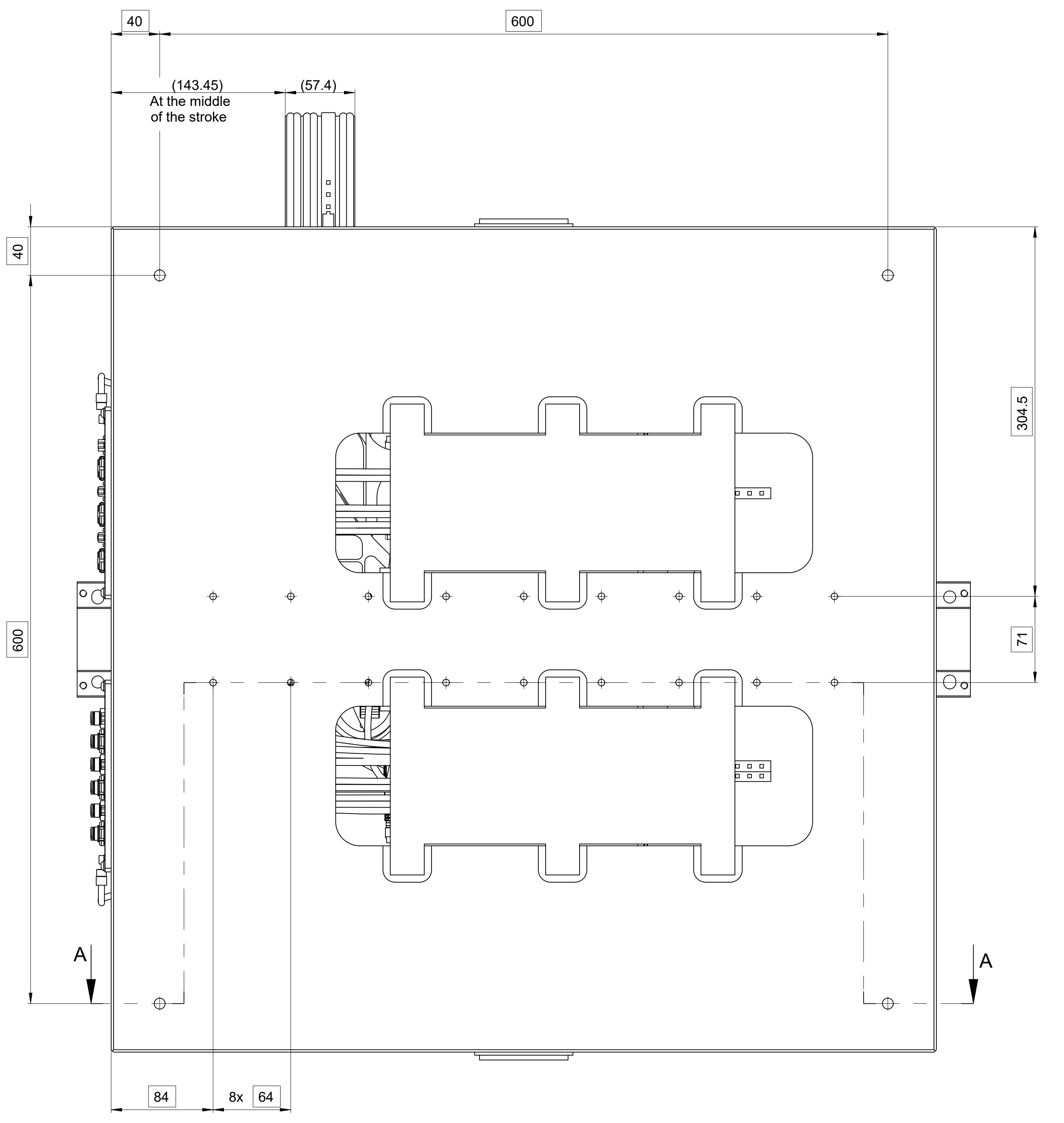
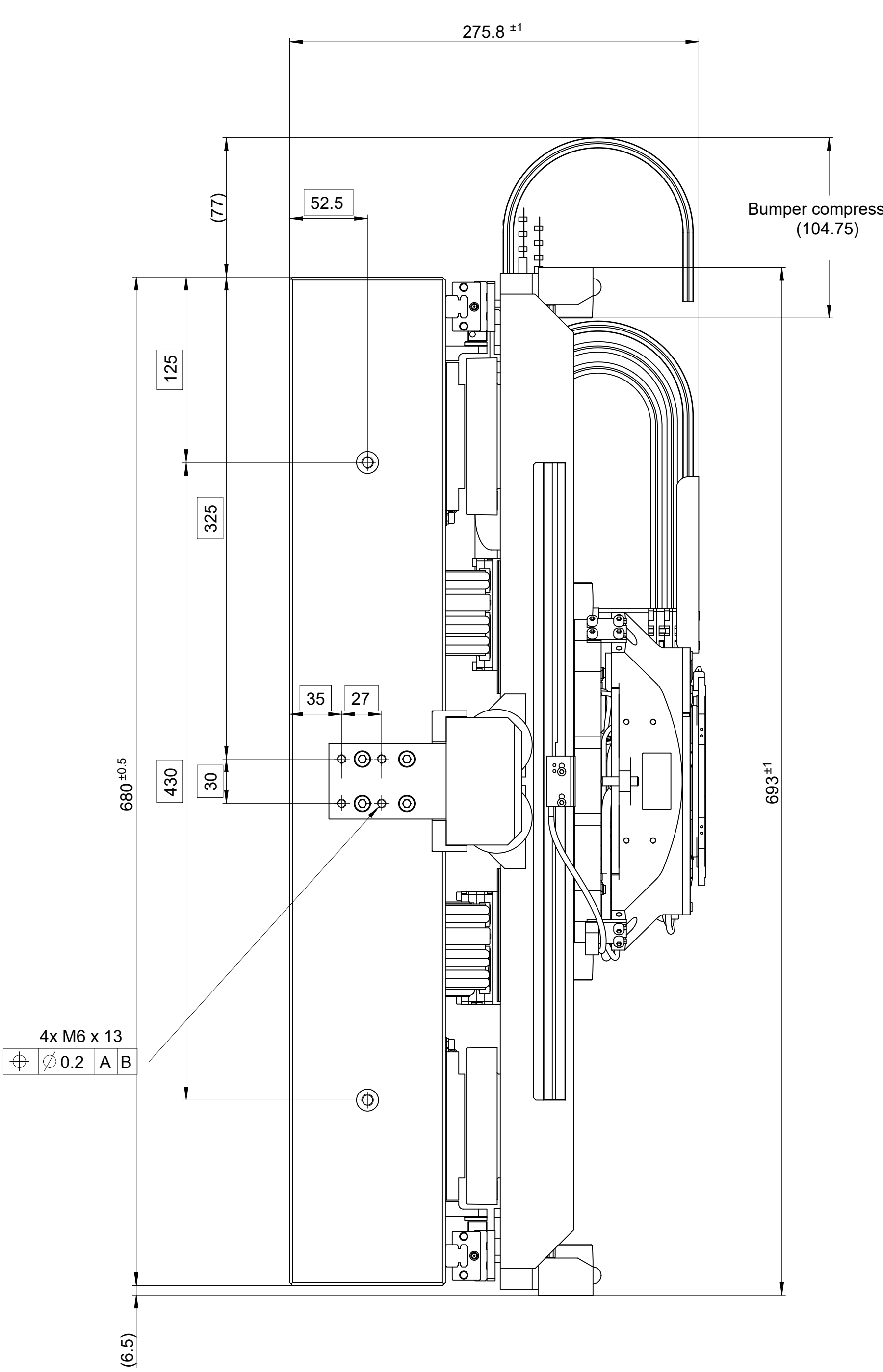
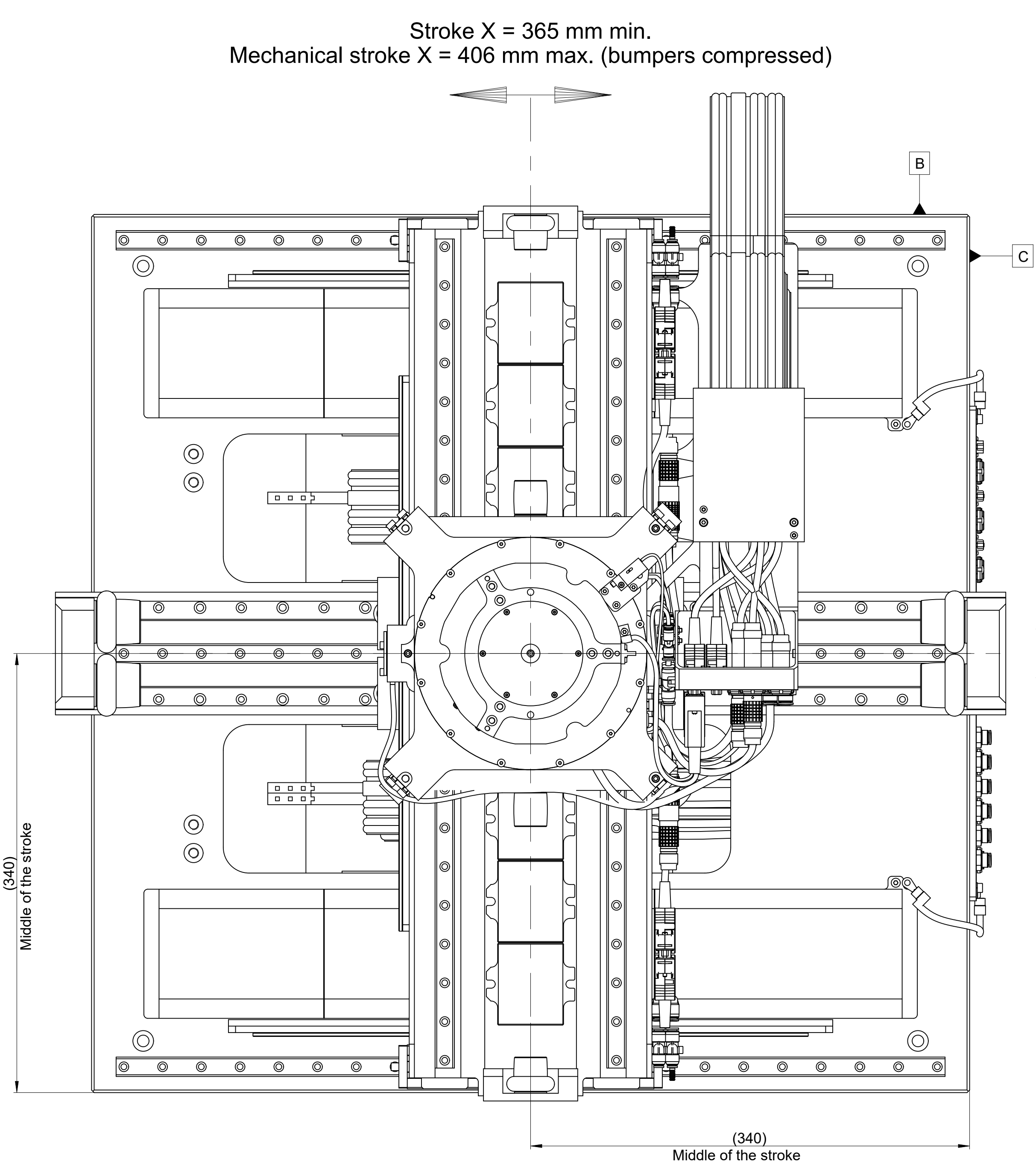
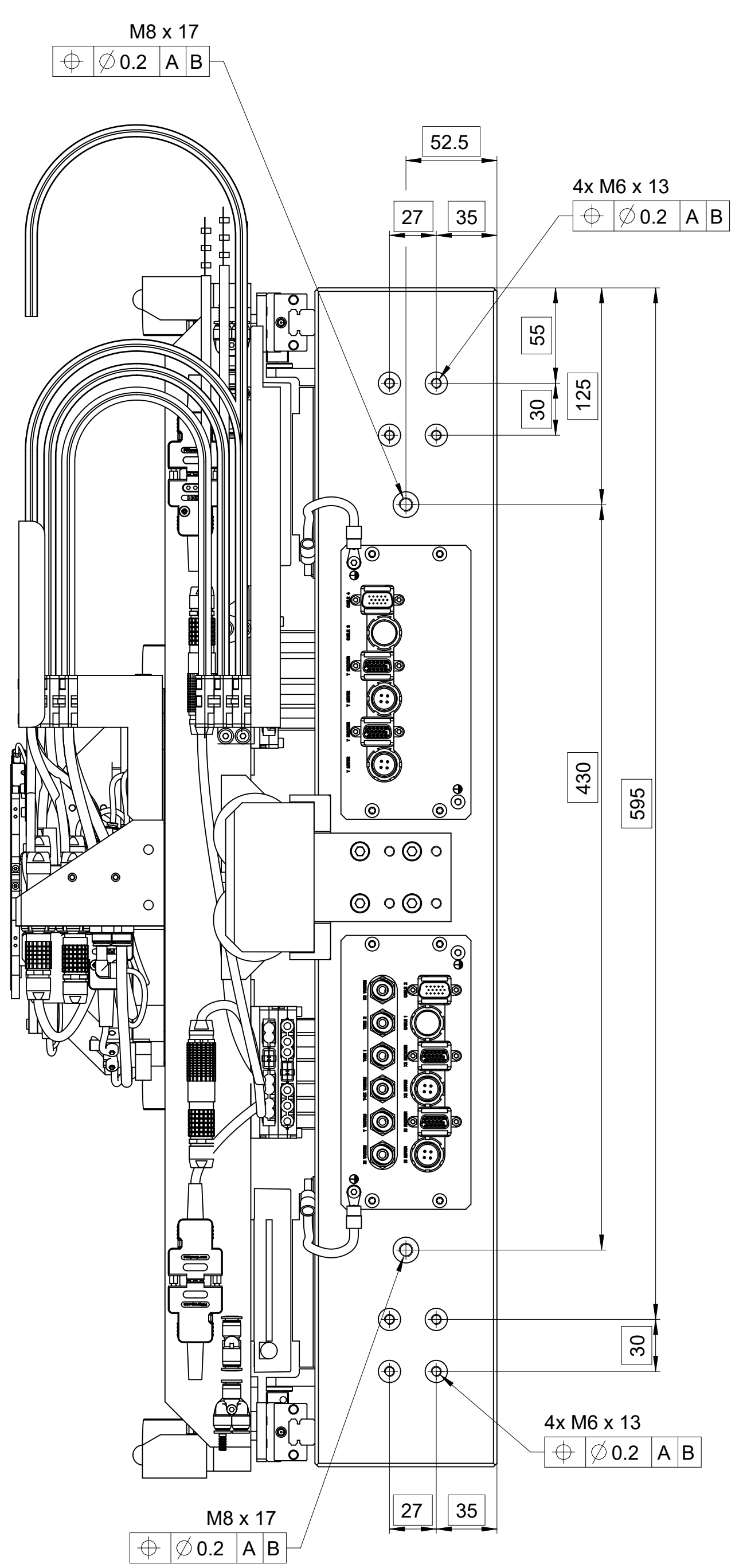
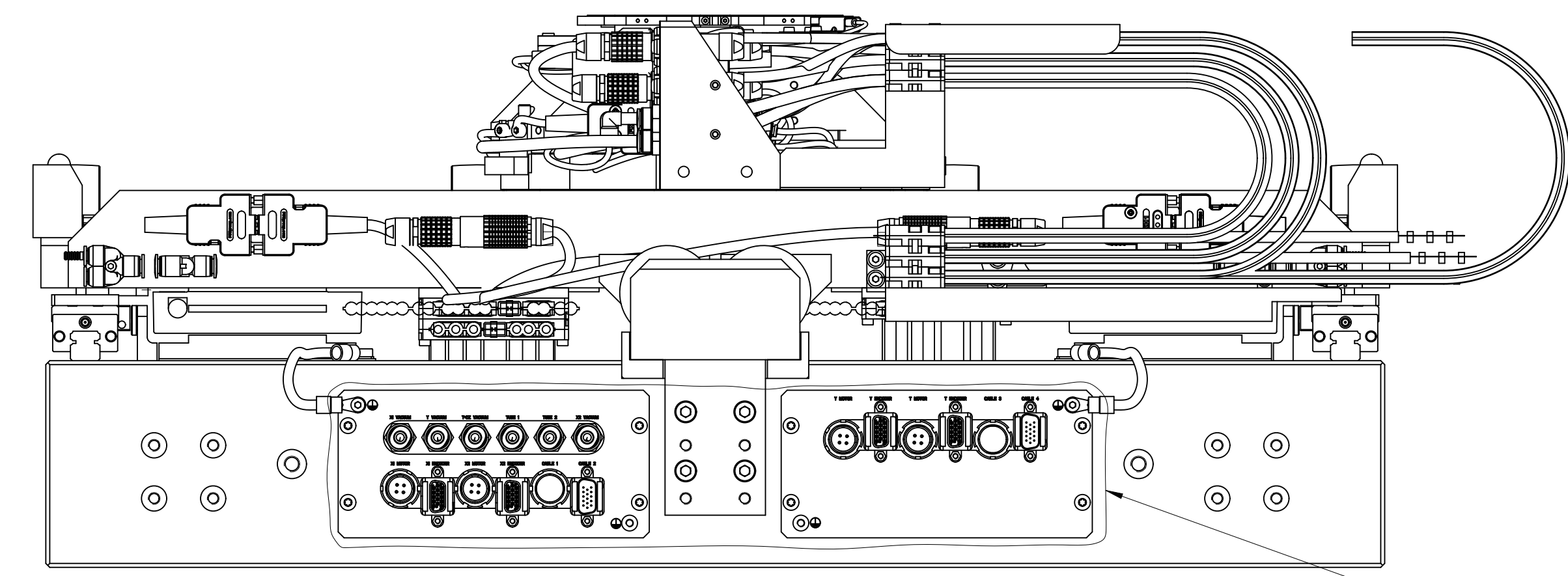


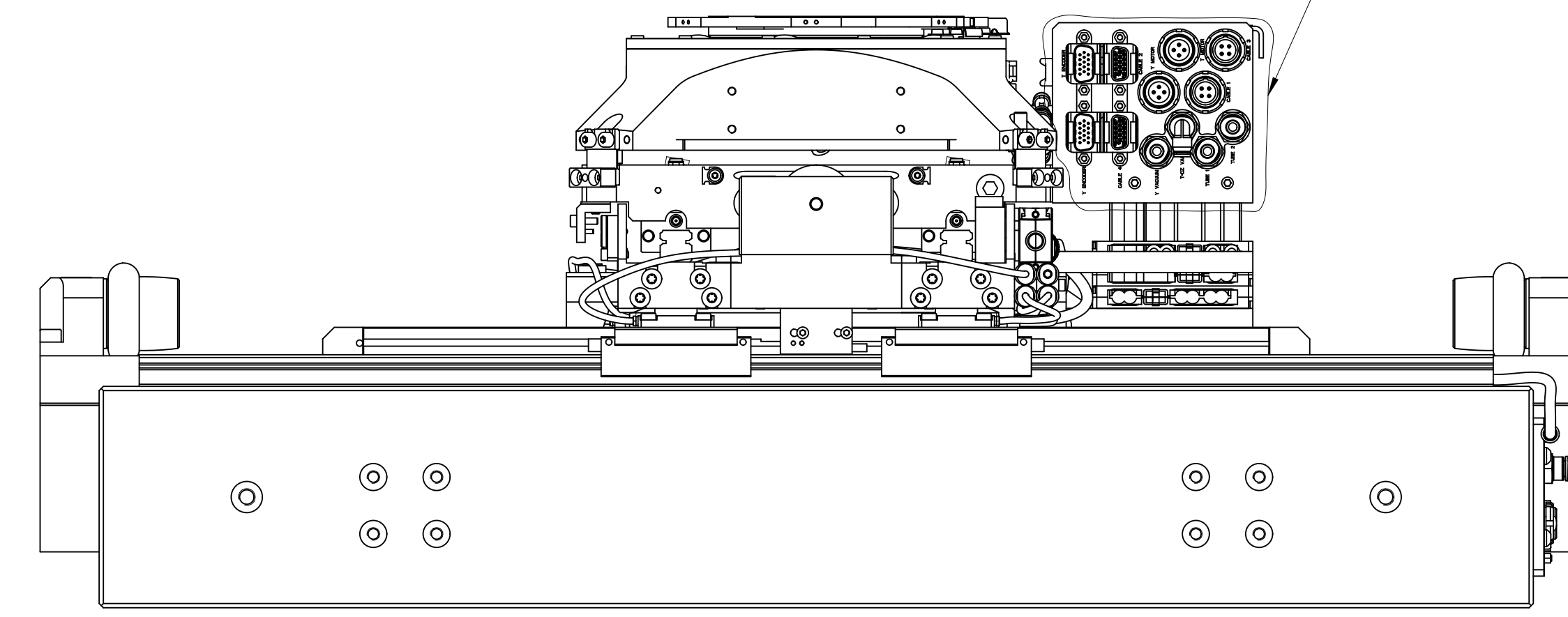
| Options table | |
|-------------------------|---------------------------|
| Theta stroke | Infinite |
| DXRH cleanliness vacuum | Integrated |
| Chuck Vacuum | Kit vacuum theta infinite |
| Kit 4 interfaces legs | Integrated |
| Connector support | Without |
| Wobble kit | Without |



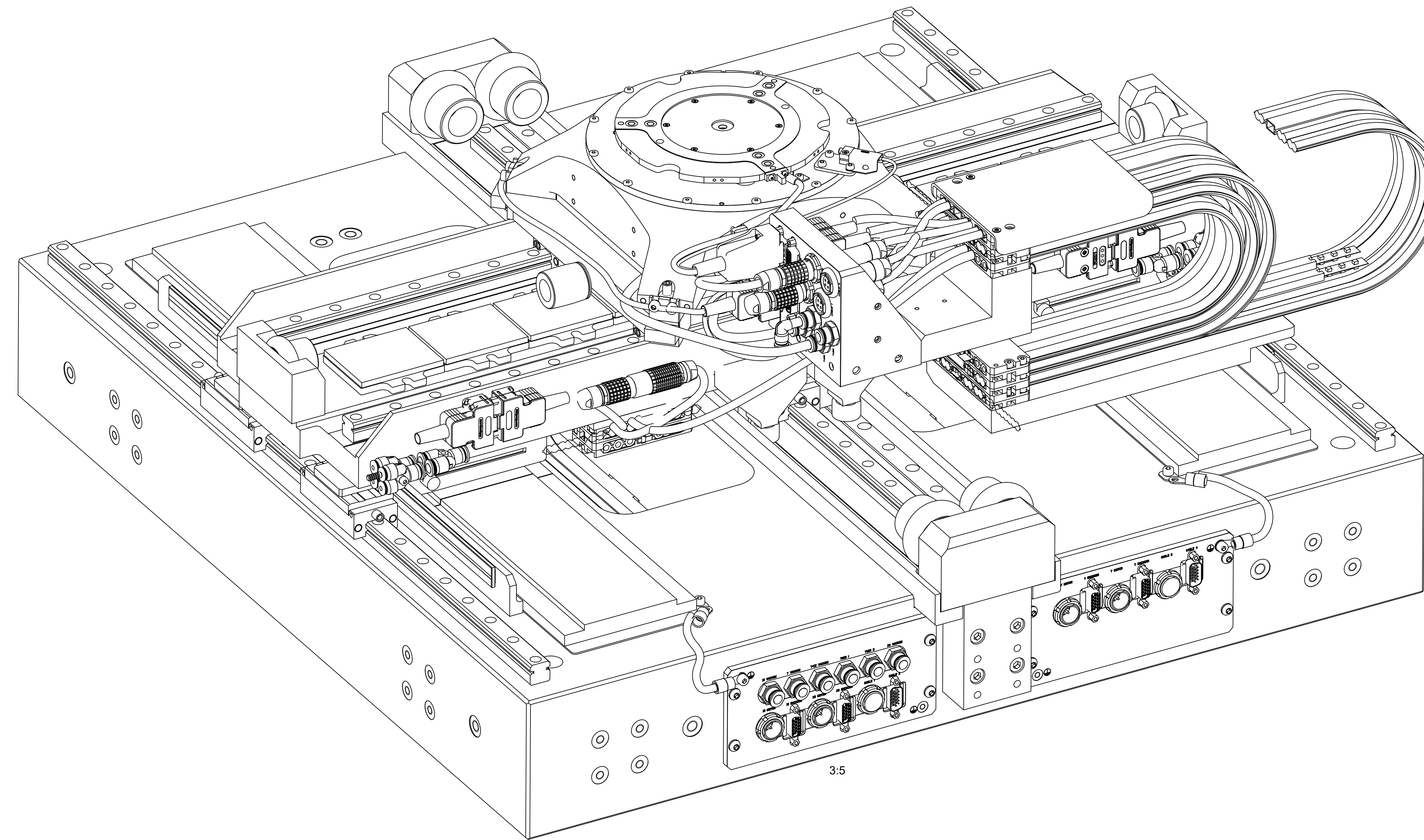
It is required to mount Vulcano 2 Stages on a granite or equivalent flat surface with a flatness inferior or equal to 5 microns



Front panel

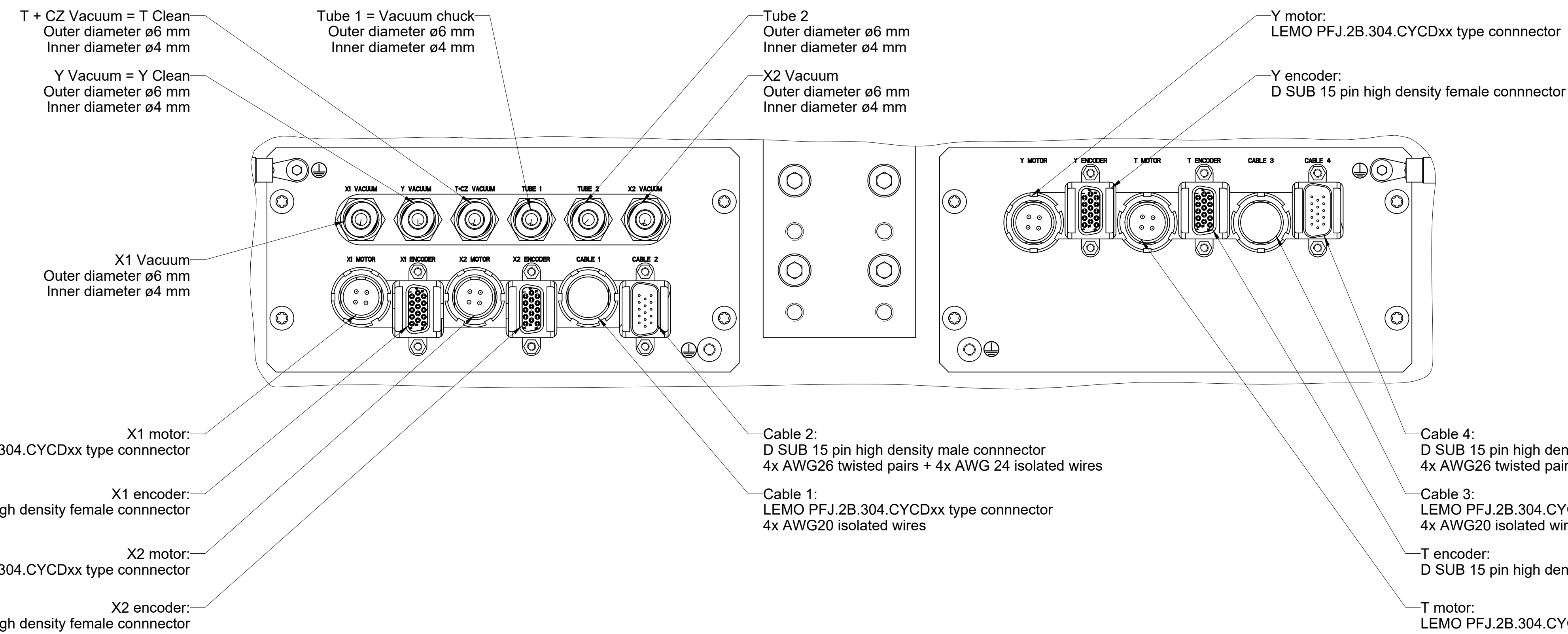


Mobile Panel

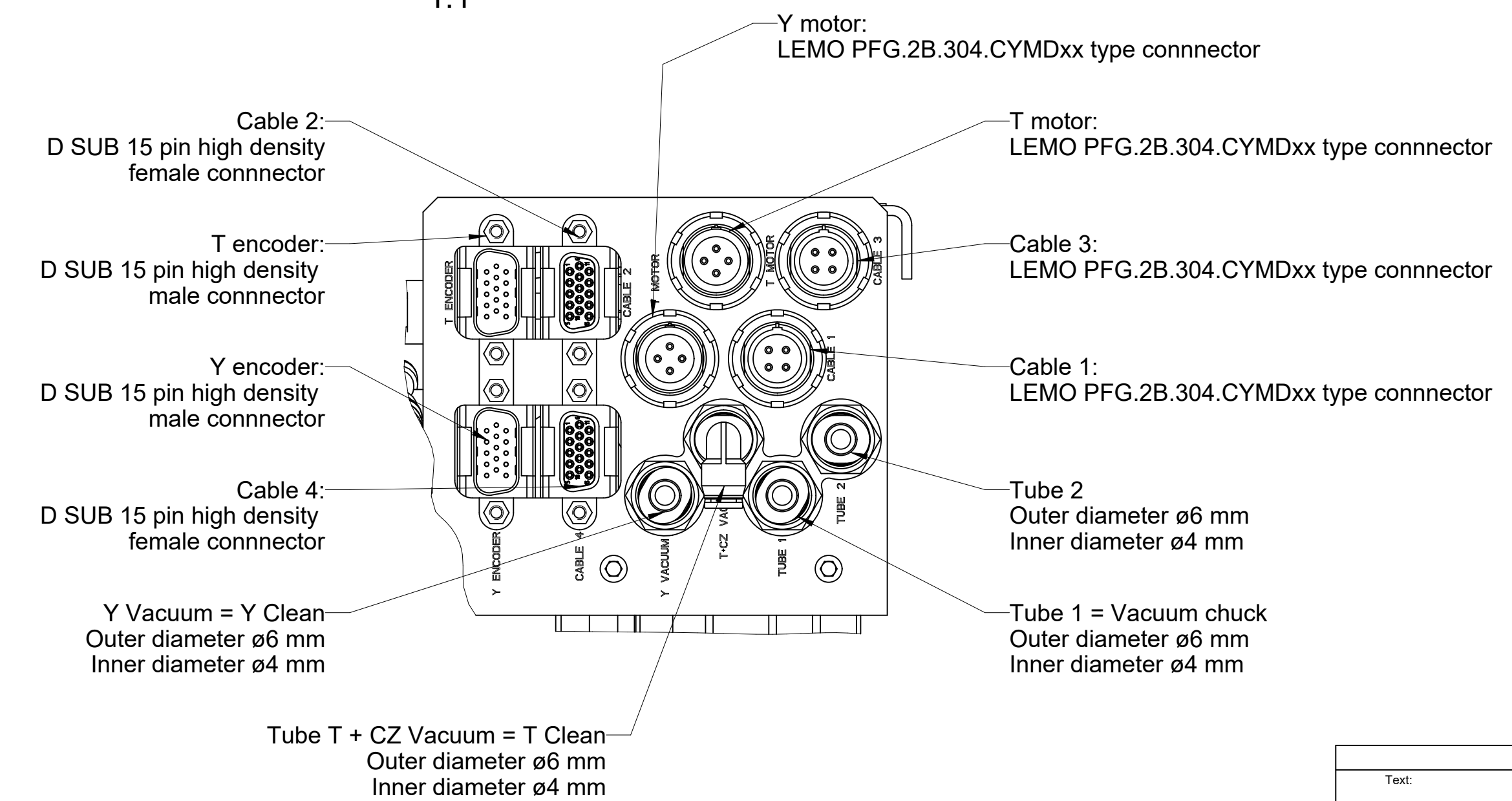


3:5

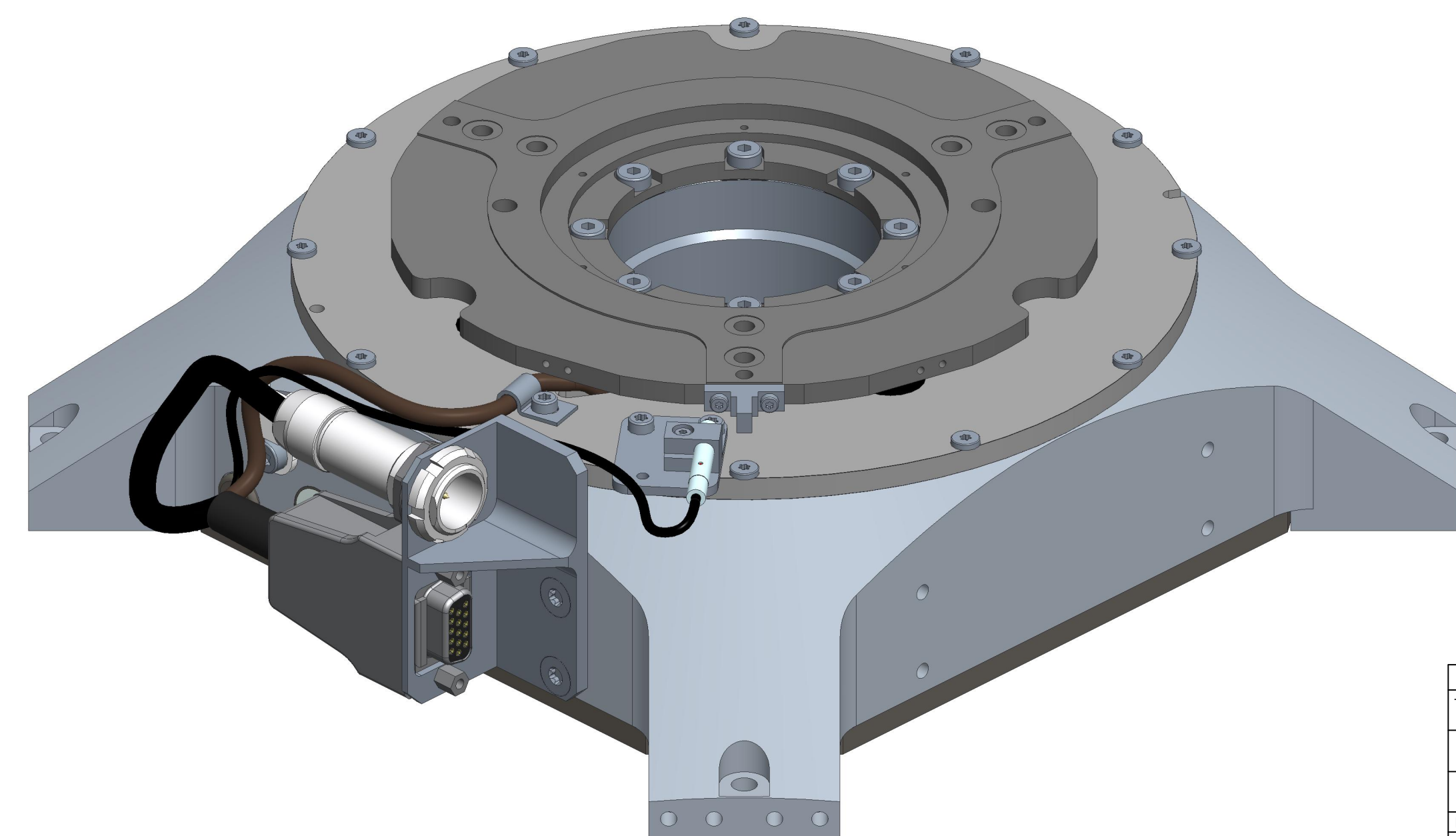
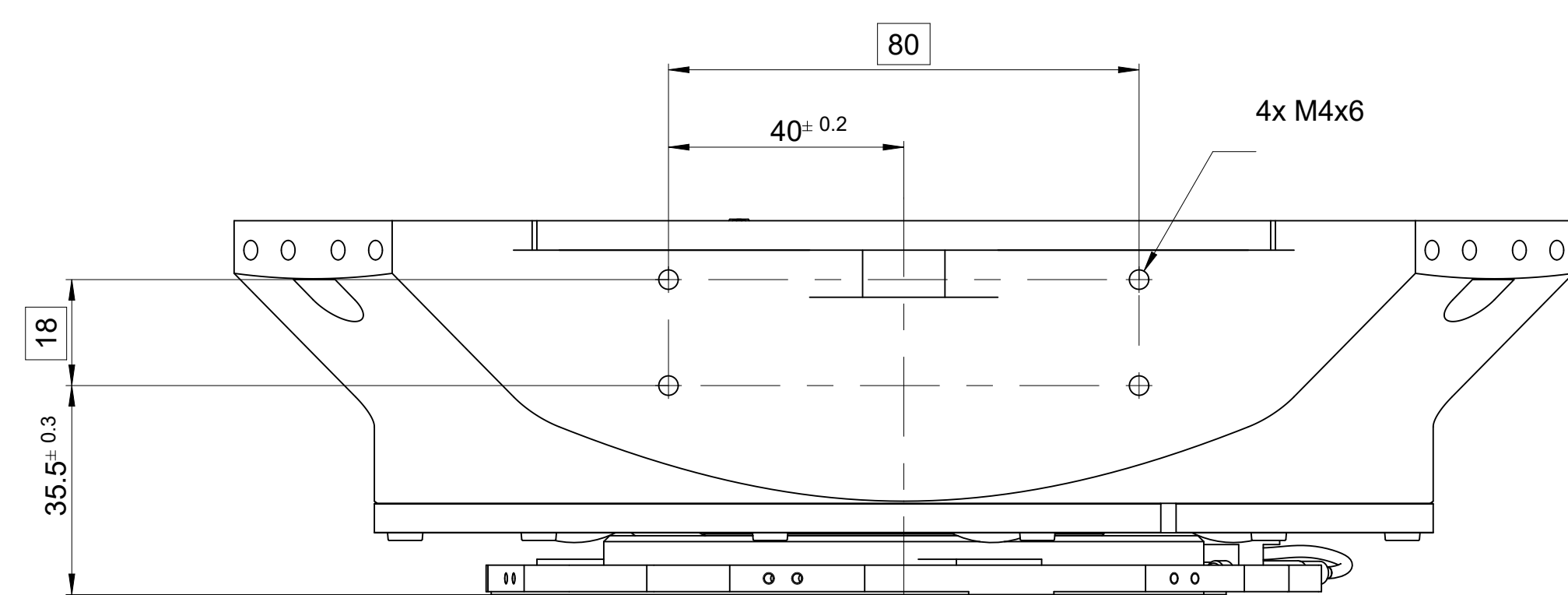
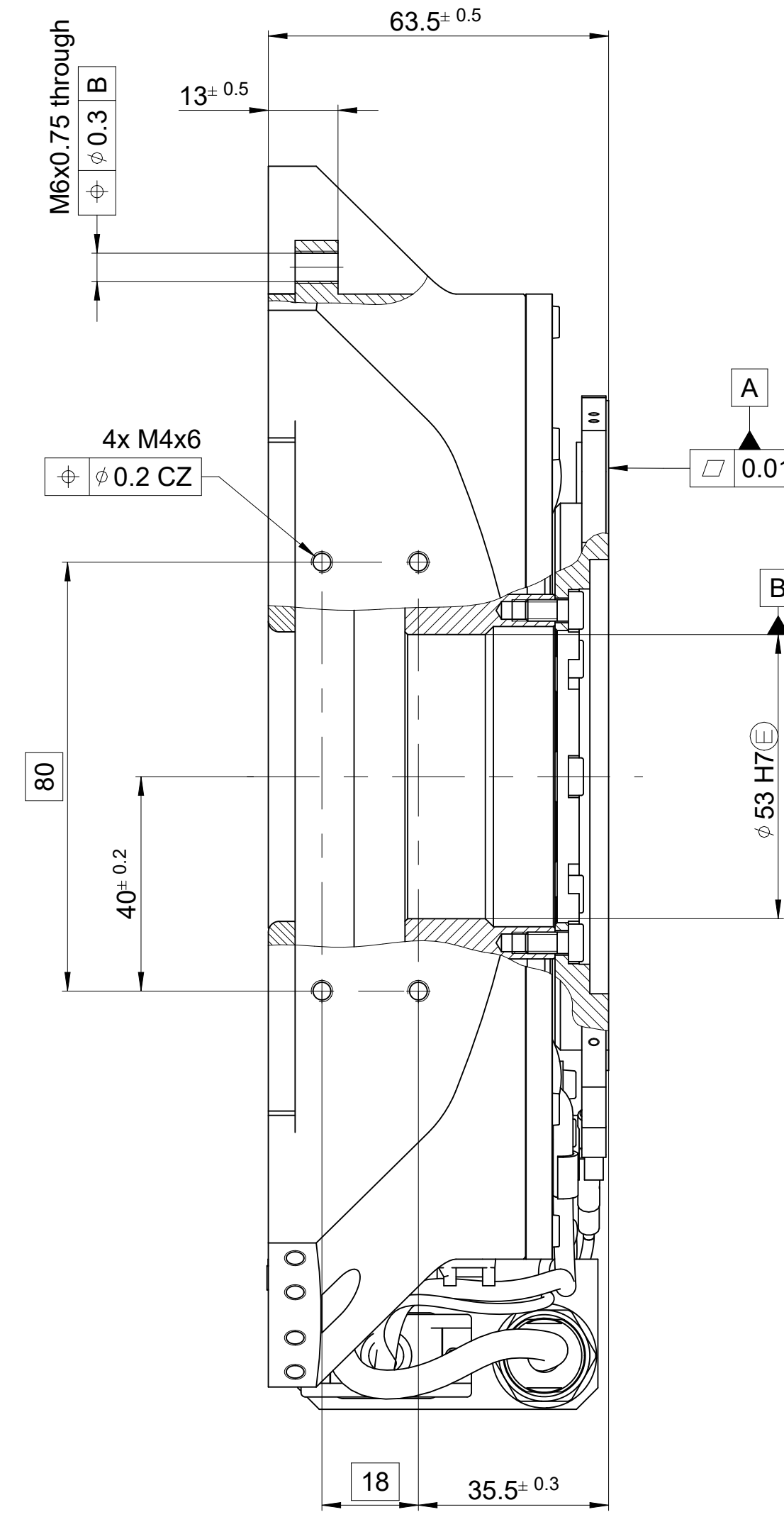
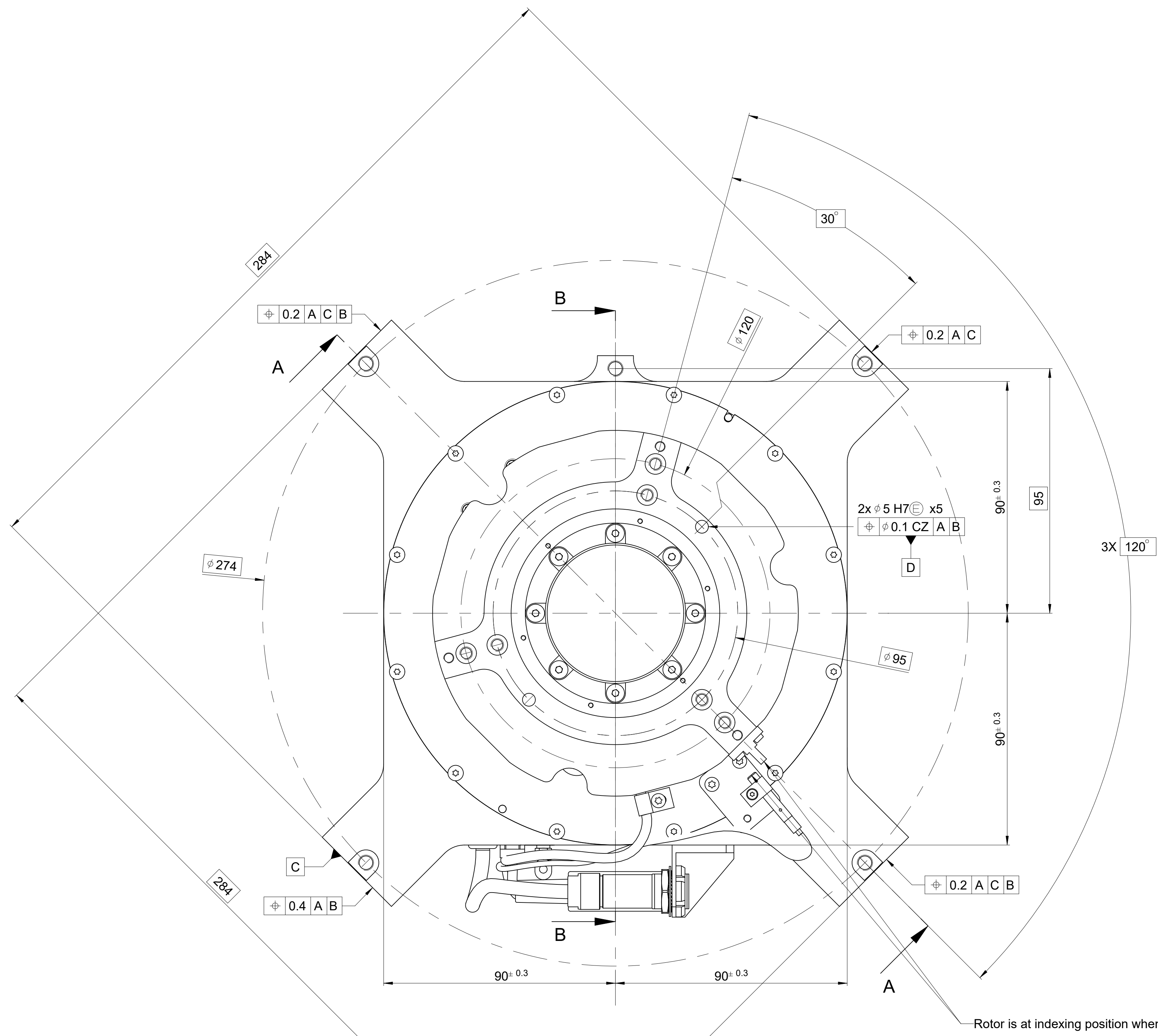
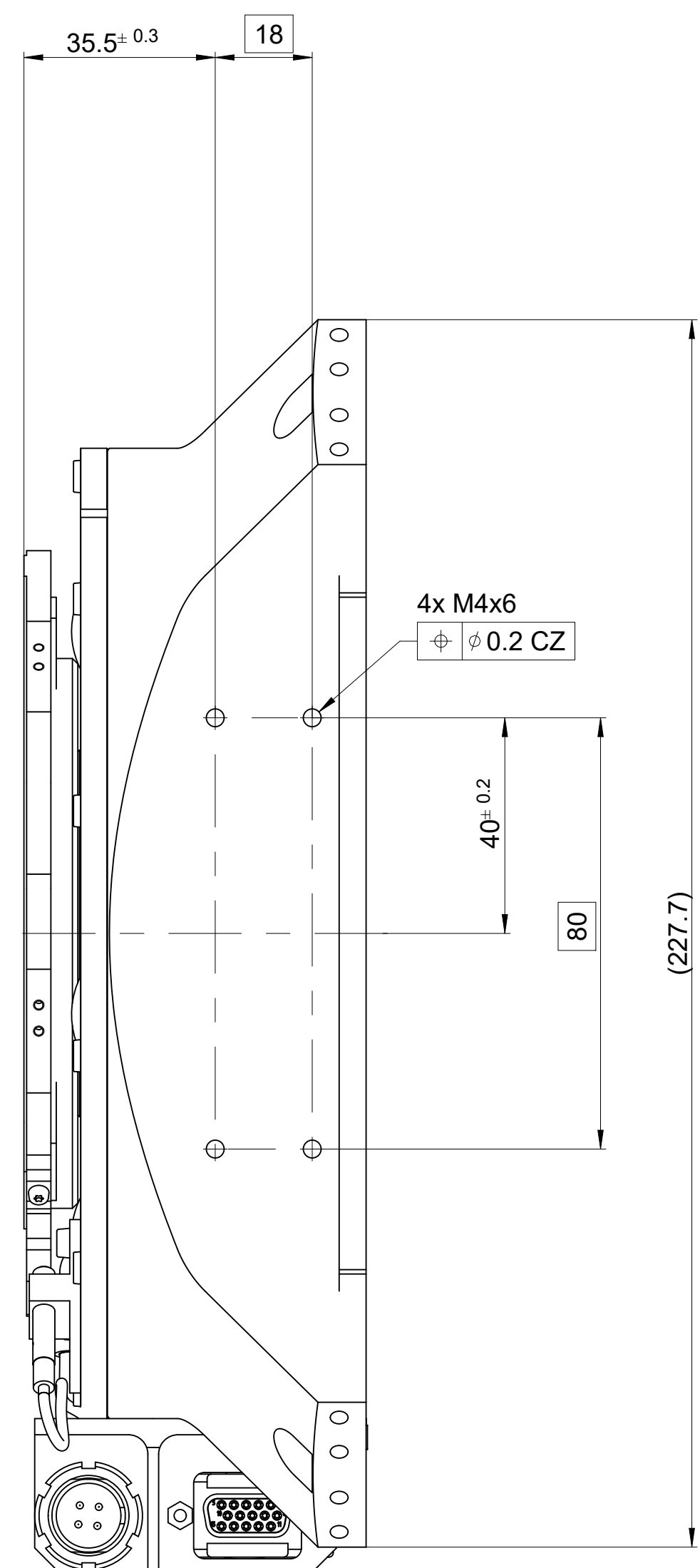
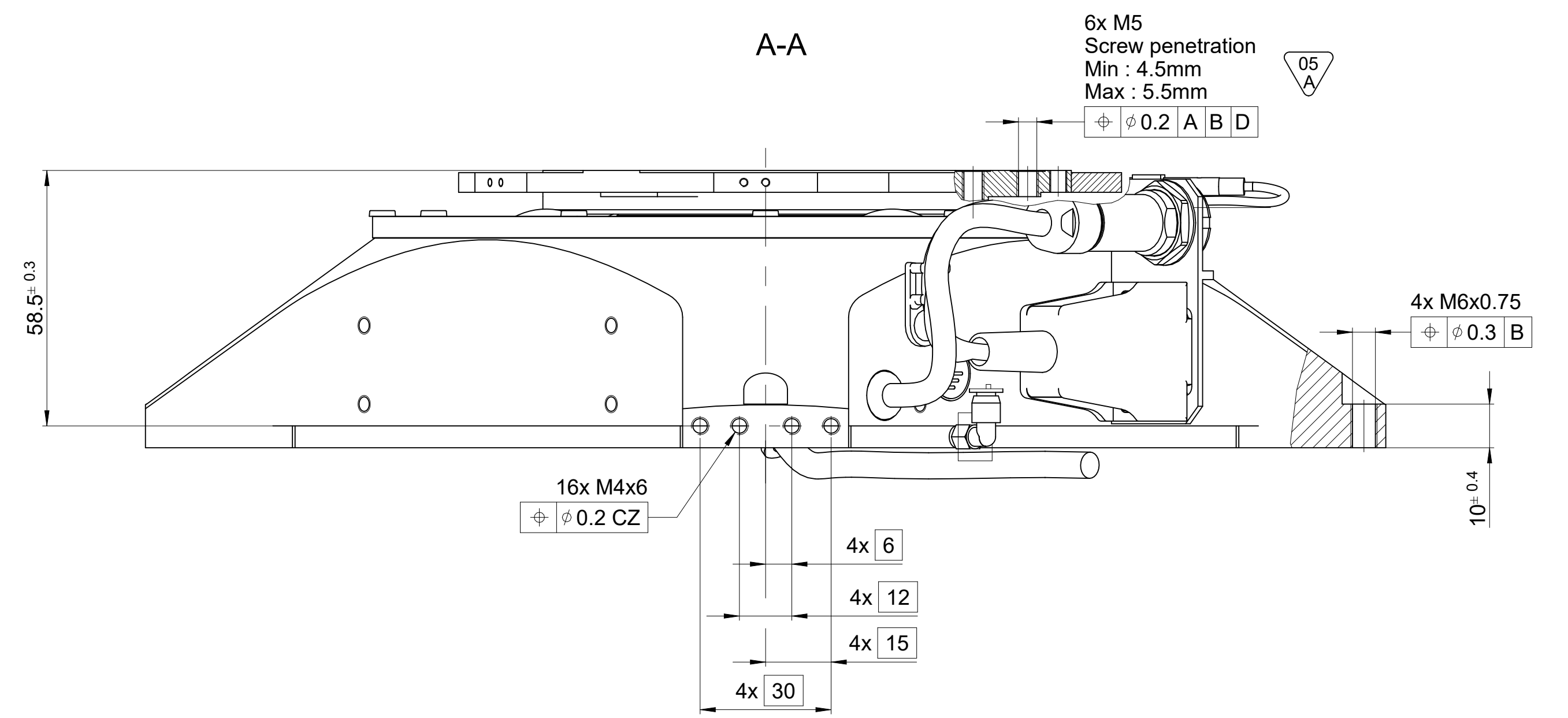
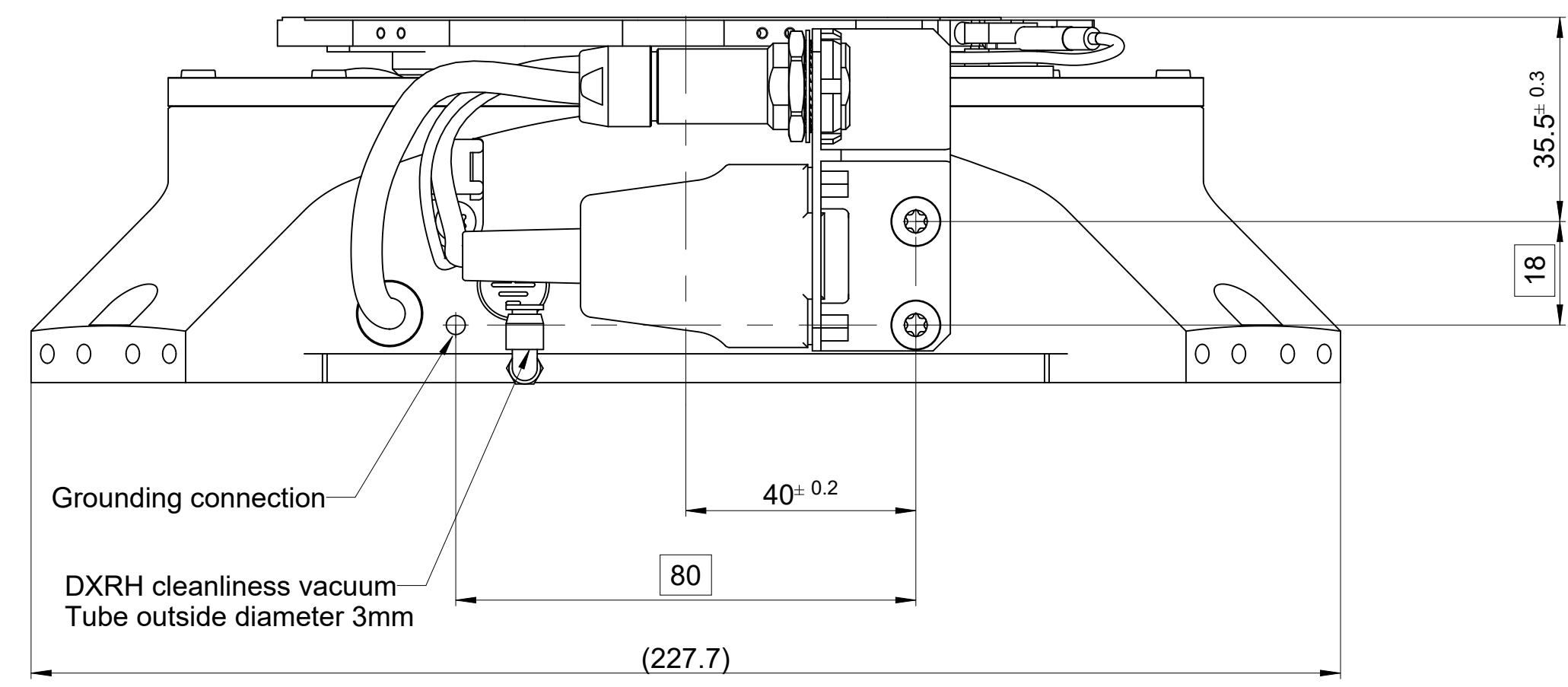
Front panel
1:1



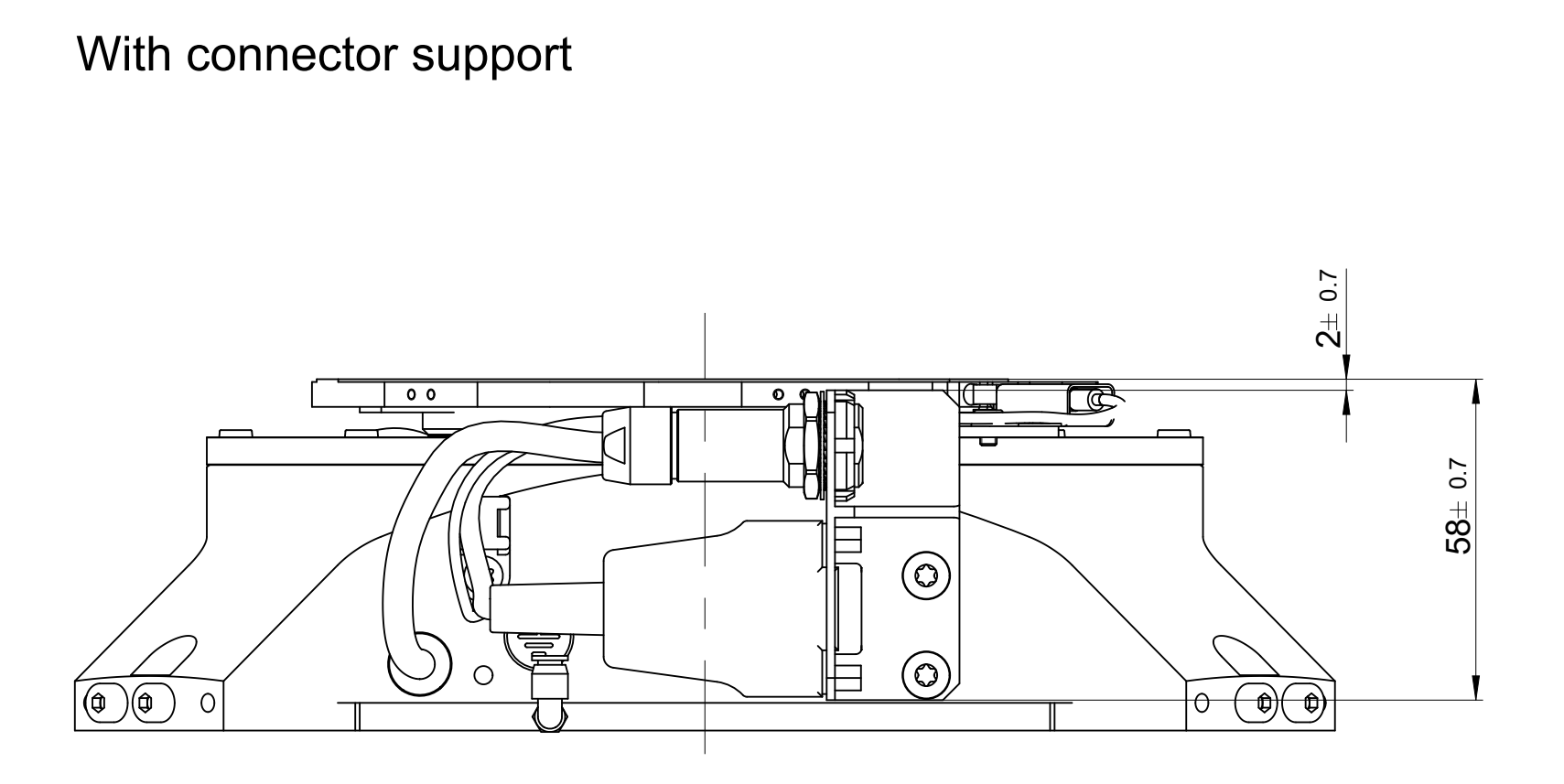
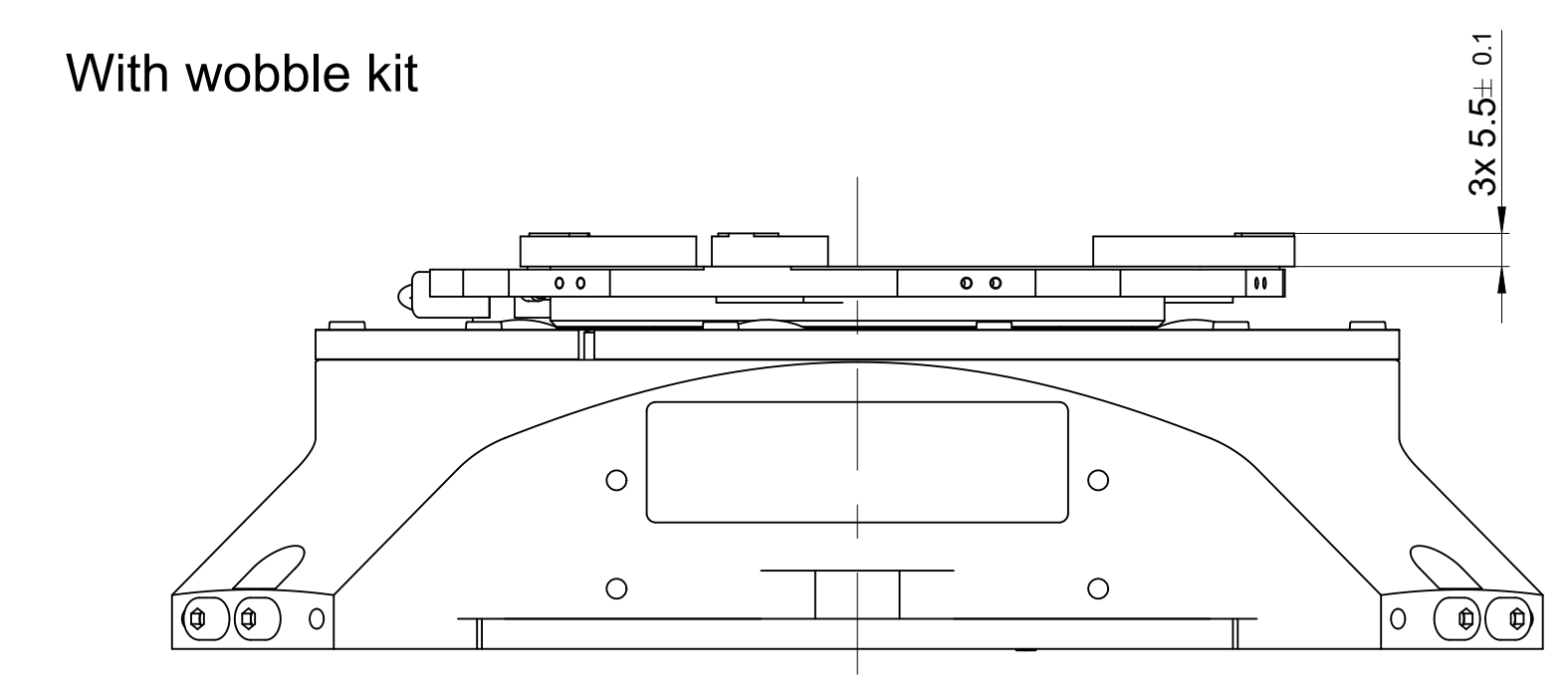
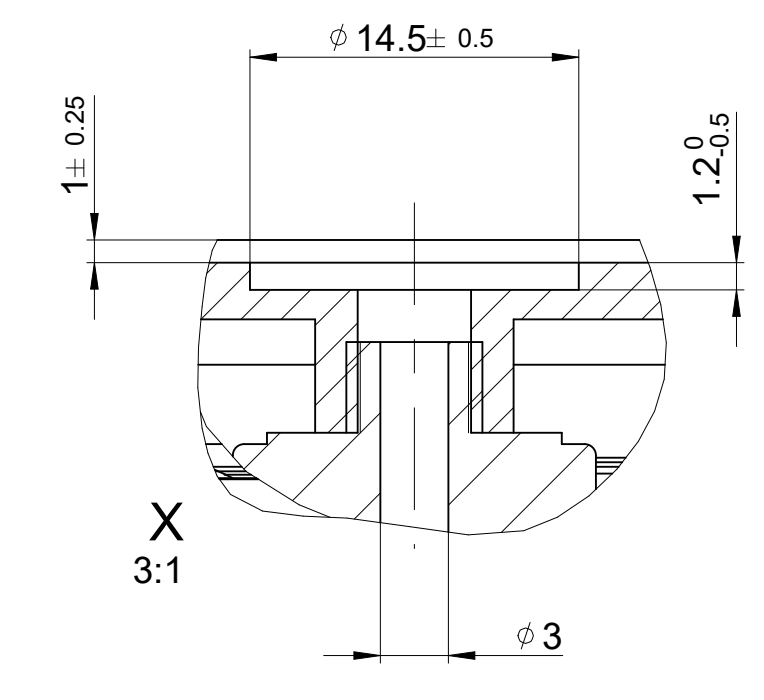
Mobile Panel
1:1



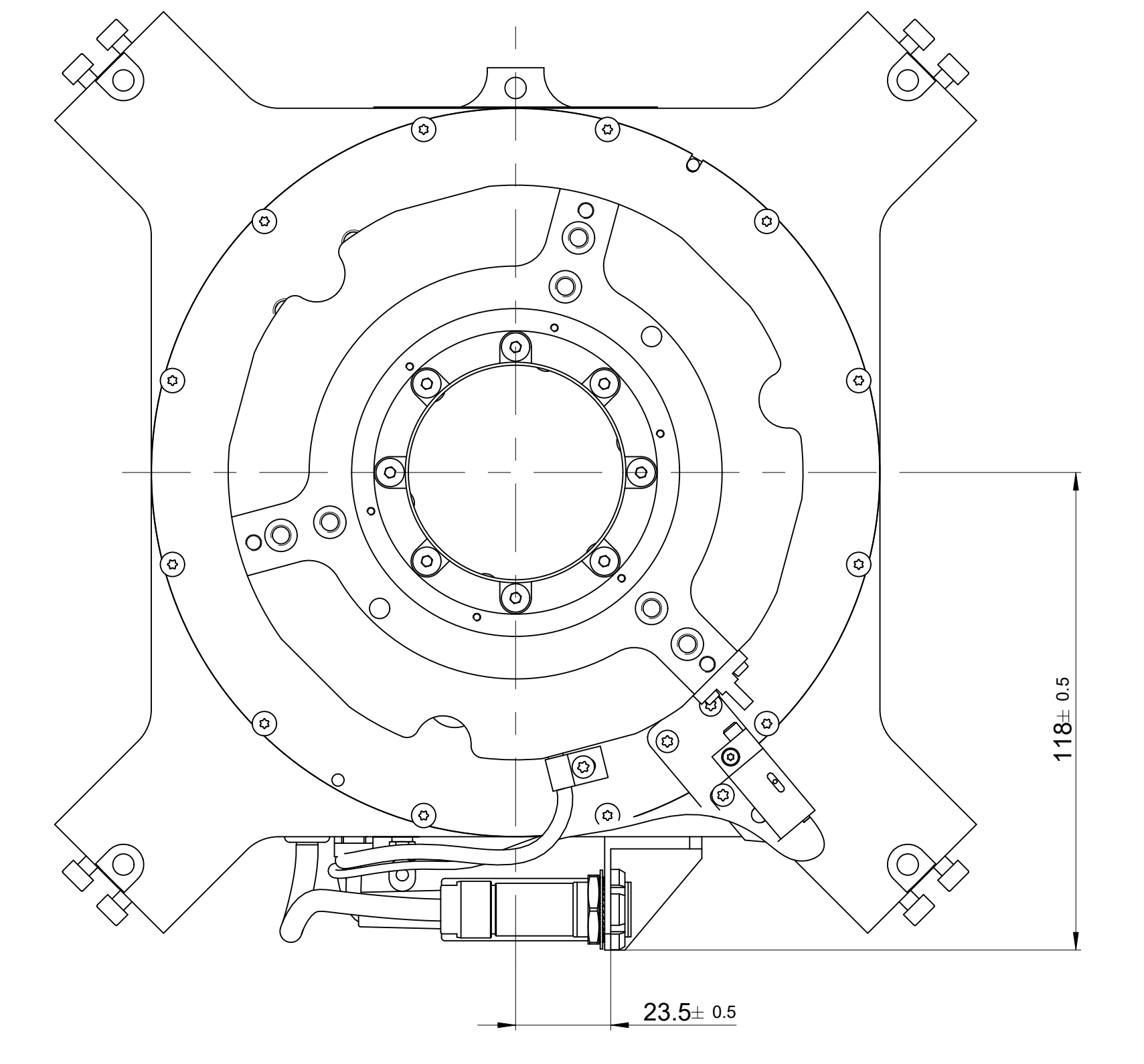
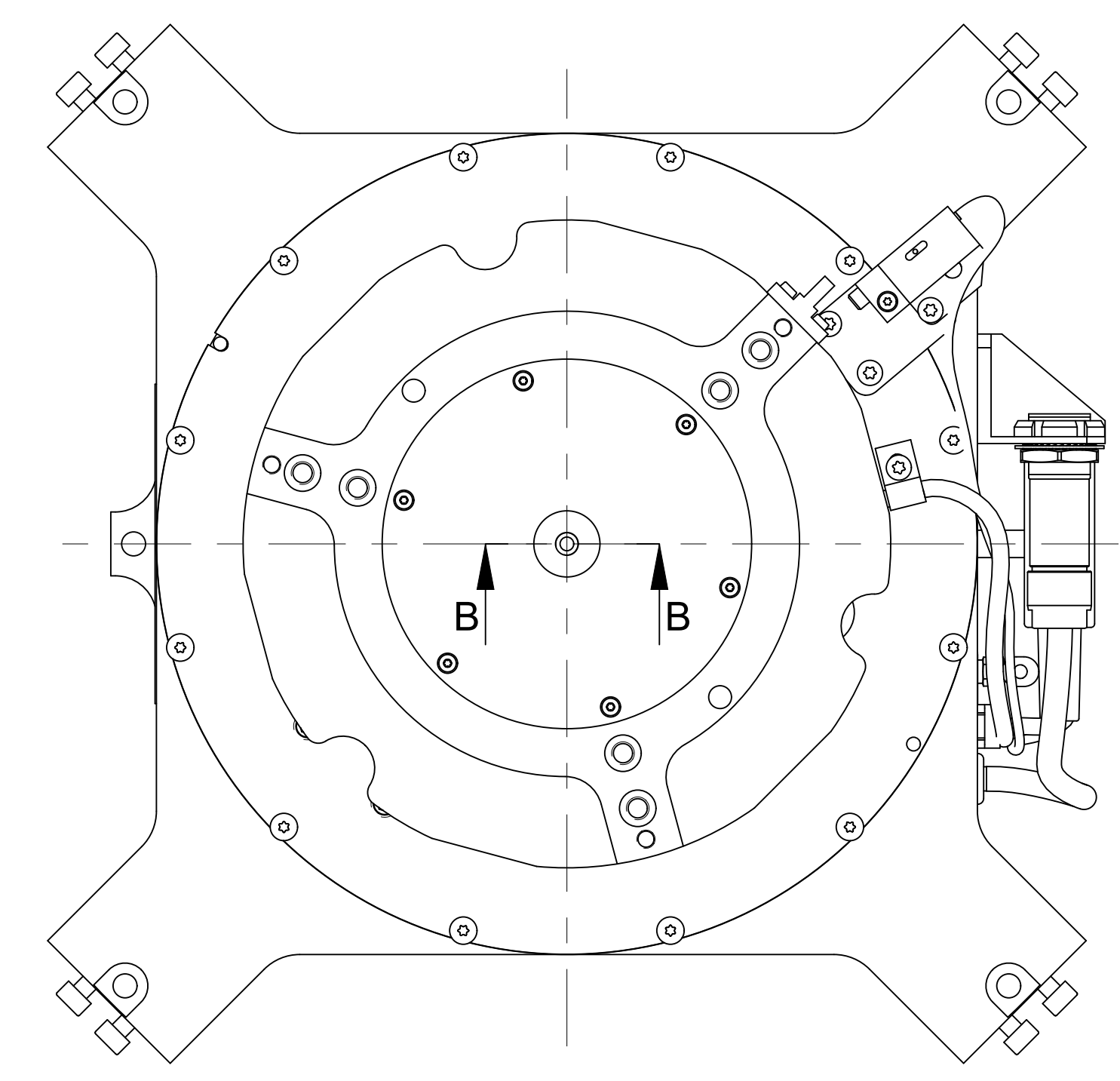
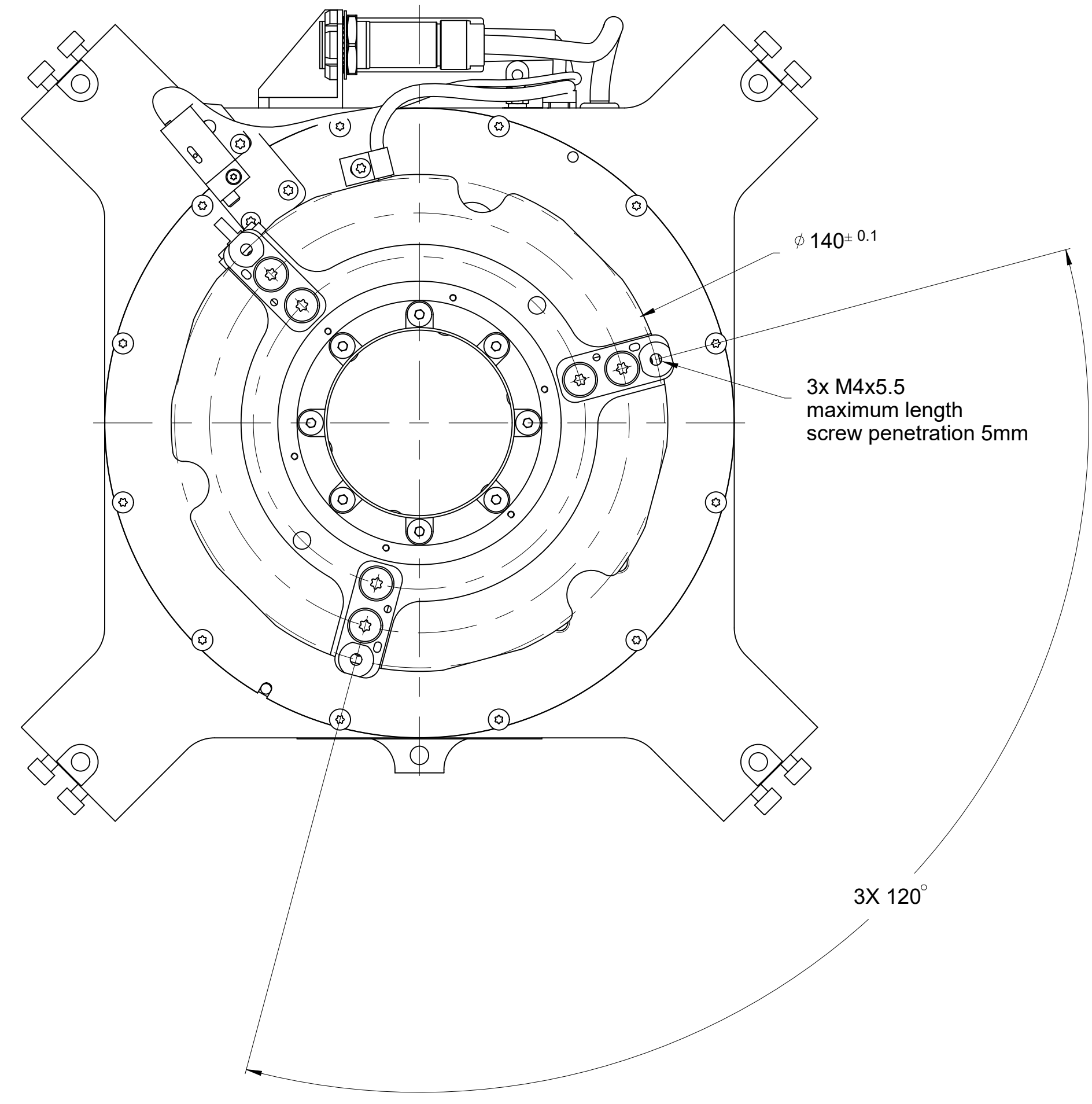
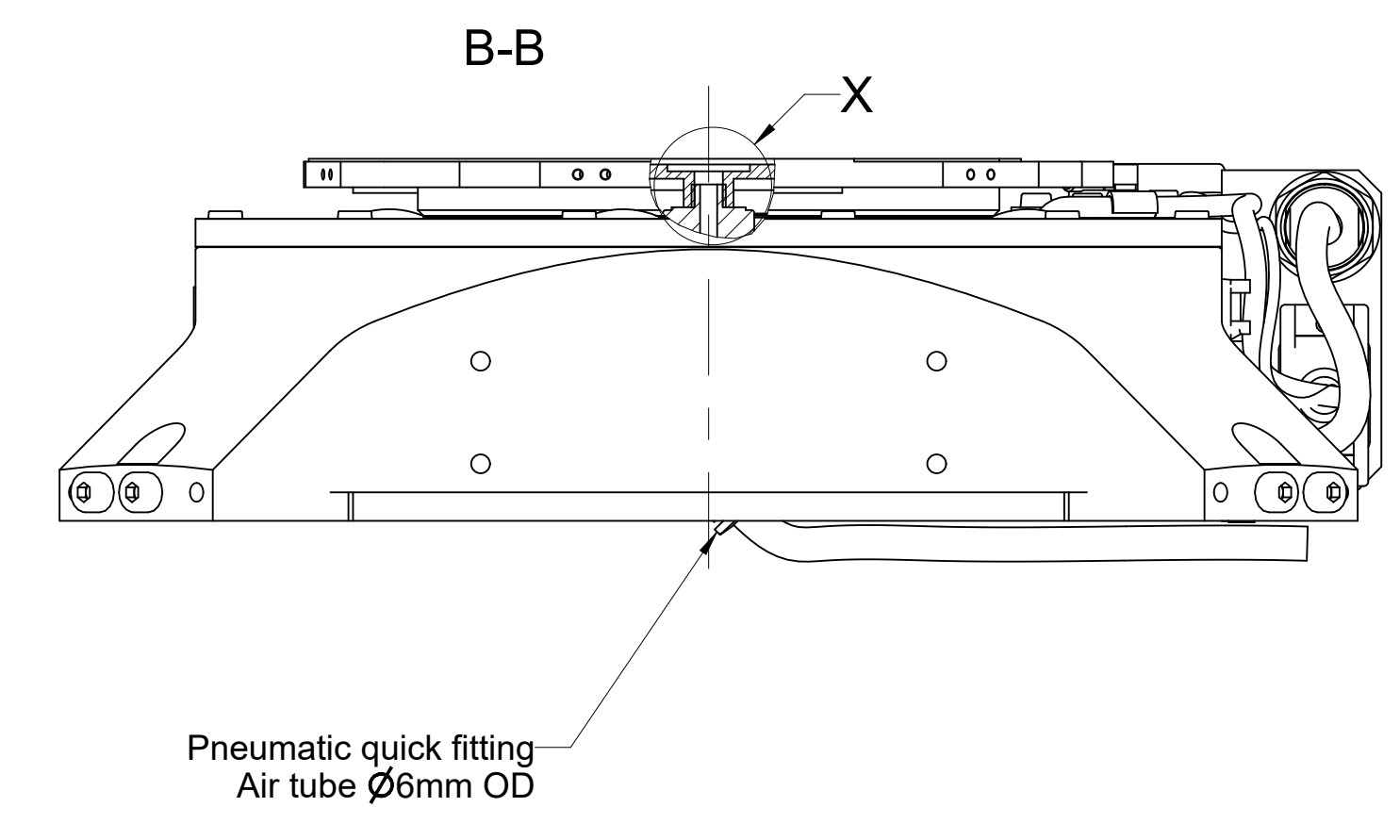
| | | | |
|---|---|----------------------------------|----------------------------------|
| Title: | | ID number: | 1384061-01 |
| Original drawing | ASME-NNNN-04-0365-0355xx-XYT STACKED SYSTEM | Change No. | C141618-15 |
| Scale: 1 format | ASME-NNNN-04-0365-0355xx-XYT STACKED SYSTEM | Released: | 07-31-22 |
| Dimensions in mm | 2.5 A0 | Tolerances as per ISO 8015: 2011 | Tolerances series ISO 8015: 2011 |
| The reproduction, distribution and utilization of this document as well as the communication of its contents to others without express authorization is prohibited. Offenders will be held liable for the payment of damages. All rights reserved in the event of the grant of a patent, utility model or design. (ISO 15076) | | Dimensions with tolerances | 0.2 |
| ETEL S.A. 2112 Mörselt SWITZERLAND | | Document number | 1384063-00-A-01 |



| | | | |
|---|----------------------------------|---------------------------------------|-------------------------|
| Text: Screw penetration: Define min / max | | ID number: 1285346-01 | |
| Original drawing | Scale: 1:1 | Format: A0 | Change No.: C139467-25 |
| RoHS | 1:1 | A0 | Released: 16-05-2022 |
| DXRH0180-020 - full options | | Material: Matiere: | |
| DXRH0180-020 - toutes options | | | |
| Dimensions in mm / Cotes en mm | Working edges ISO 13715 | General tolerances ISO 2768-mK | Surface as per ISO 1302 |
| Etats de formes selon ISO 13715 | Tolerances generales ISO 2768-mK | Tolerances selon ISO 2011 | Surface traitement |
| ± 0.1 | ± 0.3 | ± 0.0 | Traitement de surface |
| ± 0.3 | ± 0.0 | ± 0.0 | |
| The reproduction, distribution and utilization of this document as well as the communication of its contents to others without express authorization is prohibited. Offenders will be held liable for the payment of damages. All rights reserved in the event of the grant of a patent, utility model or design. (ISO 16016) | | | |
| ETEL S.A. 2112 Môtres SWITZERLAND | | Version (Revision/Sheet): Page 3 of 3 | |
| 1323364-05-A-01 | | Document number | |

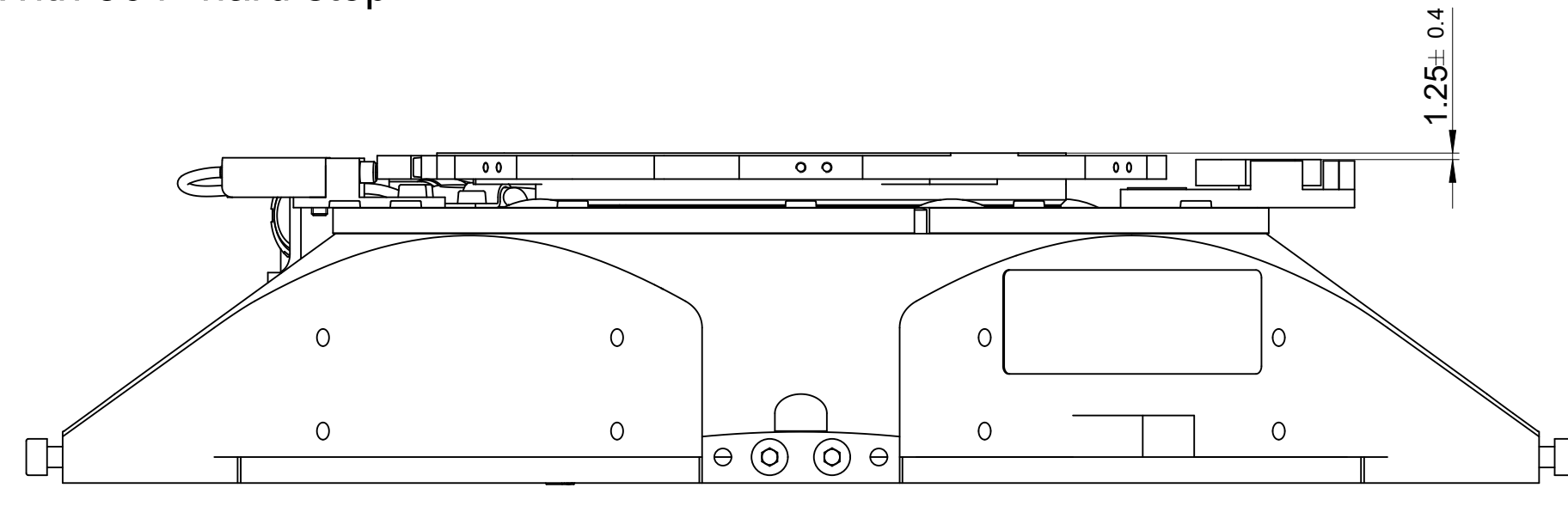


Kit Vacuum Theta Infinite

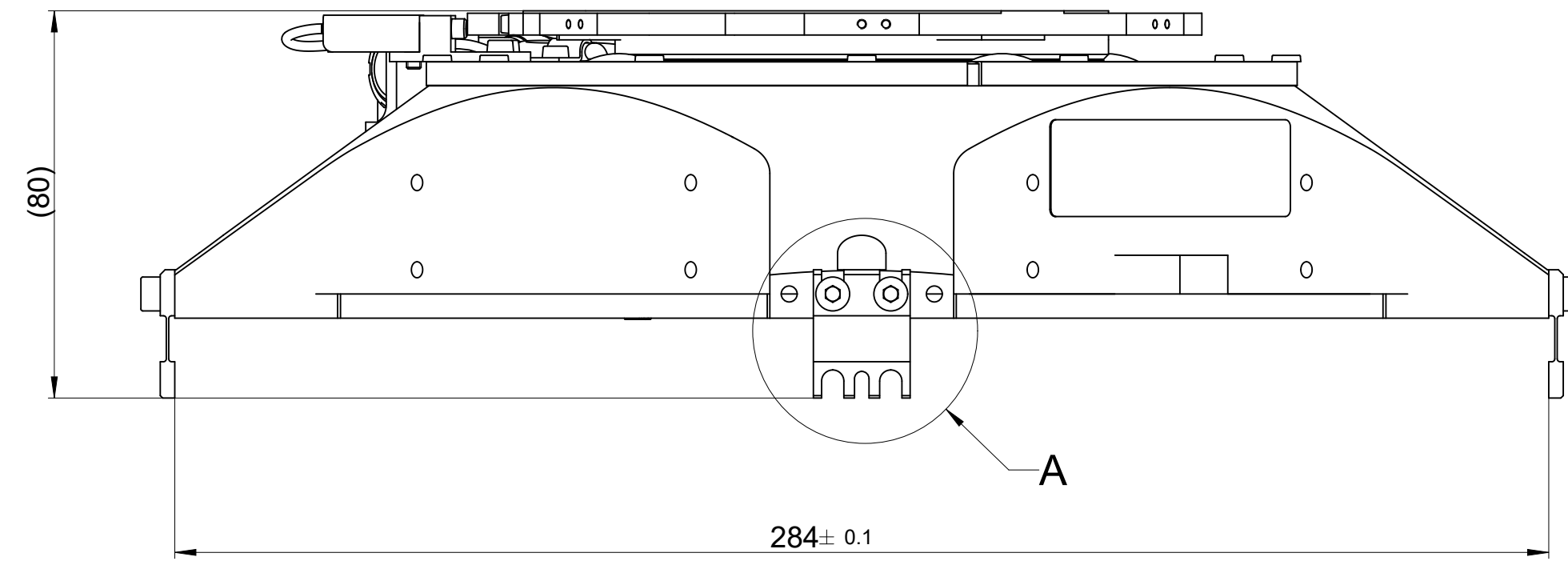


| | | | |
|---|--|---|------------------------|
| Text: Screw penetration: Define min / max | | ID number: 1285346-01 | |
| Original drawing | Scale: 4:5 | Format: A0 | Change No.: C139467-25 |
| RoHS | 4:5 | A0 | Revised: 16-05-2022 |
| DXRH0180-020 - full options | | Material: | |
| DXRH0180-020 - toutes options | | Matiere: | |
| Dimensions in mm / Cotes en mm | Mating Dimensions / Cotes d'assemblage | Surface as per ISO 1302 | |
| Workpiece edges ISO 13715 | General tolerances ISO 2768-mK | Surface treatment | |
| Etats de formes selon ISO 13715 | Tolerances generales ISO 2768-mK | Traitement de surface | |
| ±0.1 | ±0.3 | Surface as per ISO 1302 | |
| ±0.3 | ±0.0 | Surface treatment | |
| ±0.3 | ±0.0 | Traitement de surface | |
| Tolerances as per ISO 8015:2011 | | Surface treatment | |
| Tolerances selon ISO 8015:2011 | | Traitement de surface | |
| The reproduction, distribution and utilization of this document as well as the communication of its contents to others without express authorization is prohibited. Offenders will be held liable for the payment of damages. All rights reserved in the event of the grant of a patent, utility model or design. (ISO 15016) | | | |
| ETEL S.A. 2112 Môtres SWITZERLAND | | Version (Revision/Sheet): 1323364-05-A-01 Document number | |

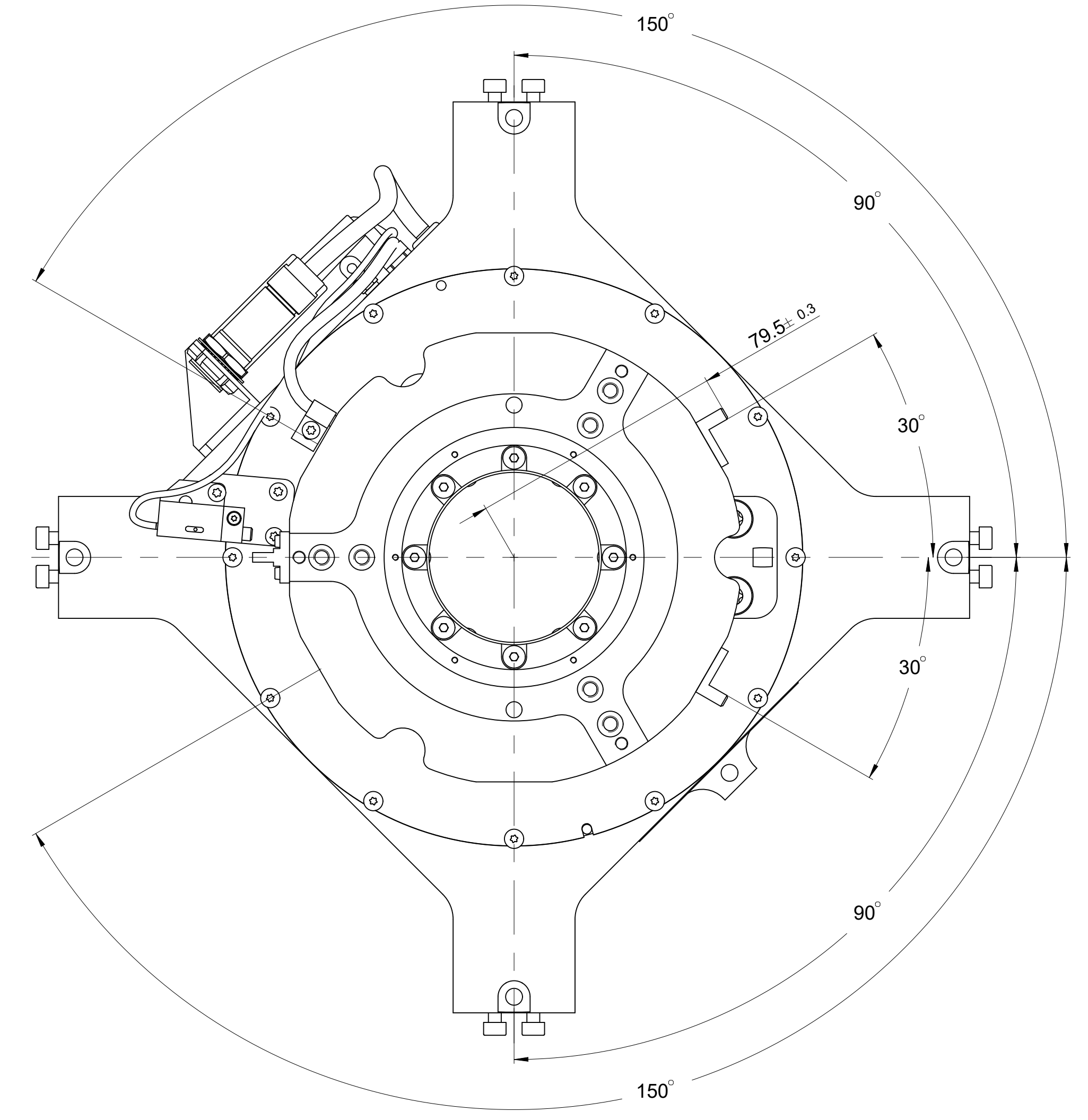
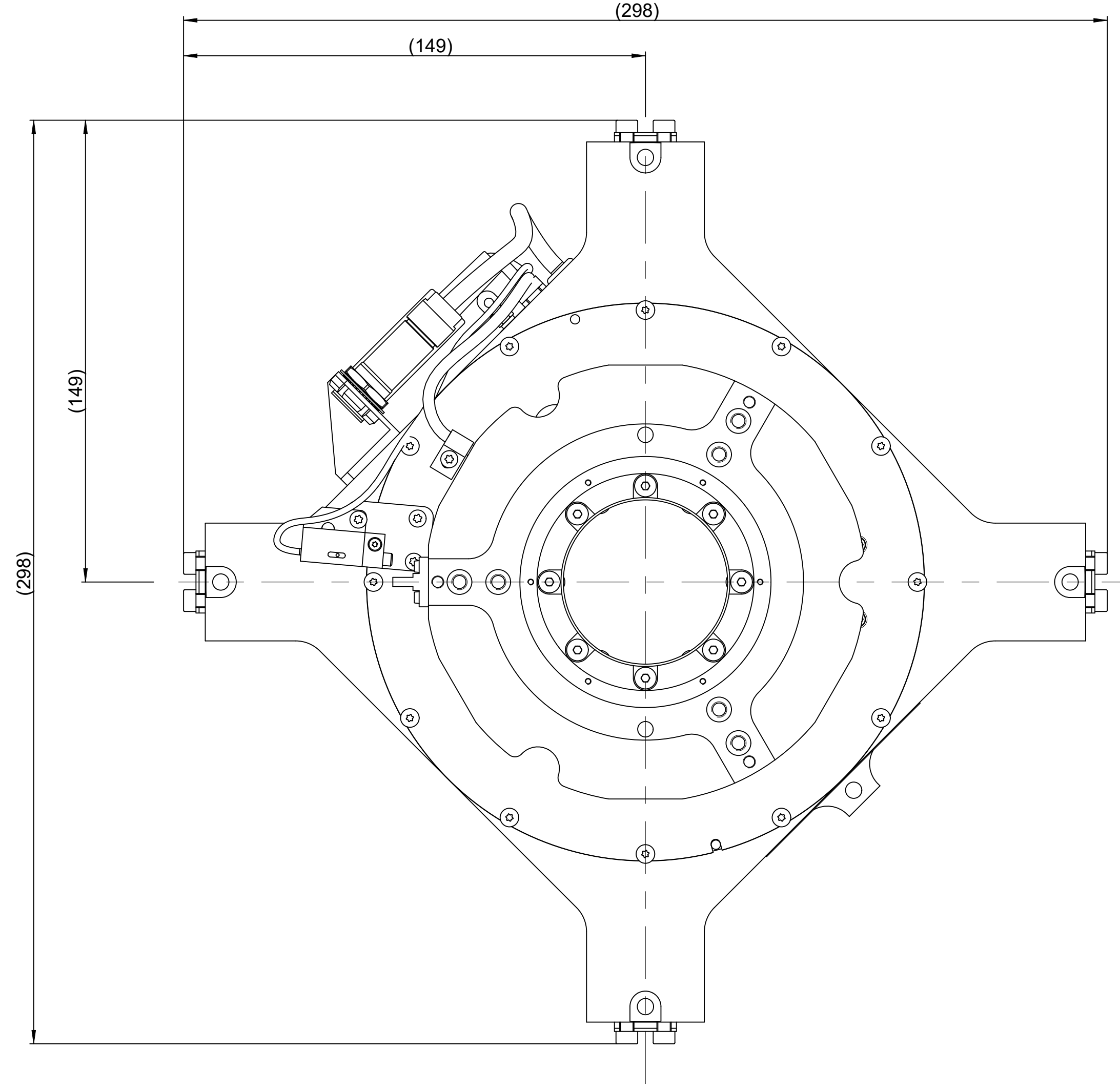
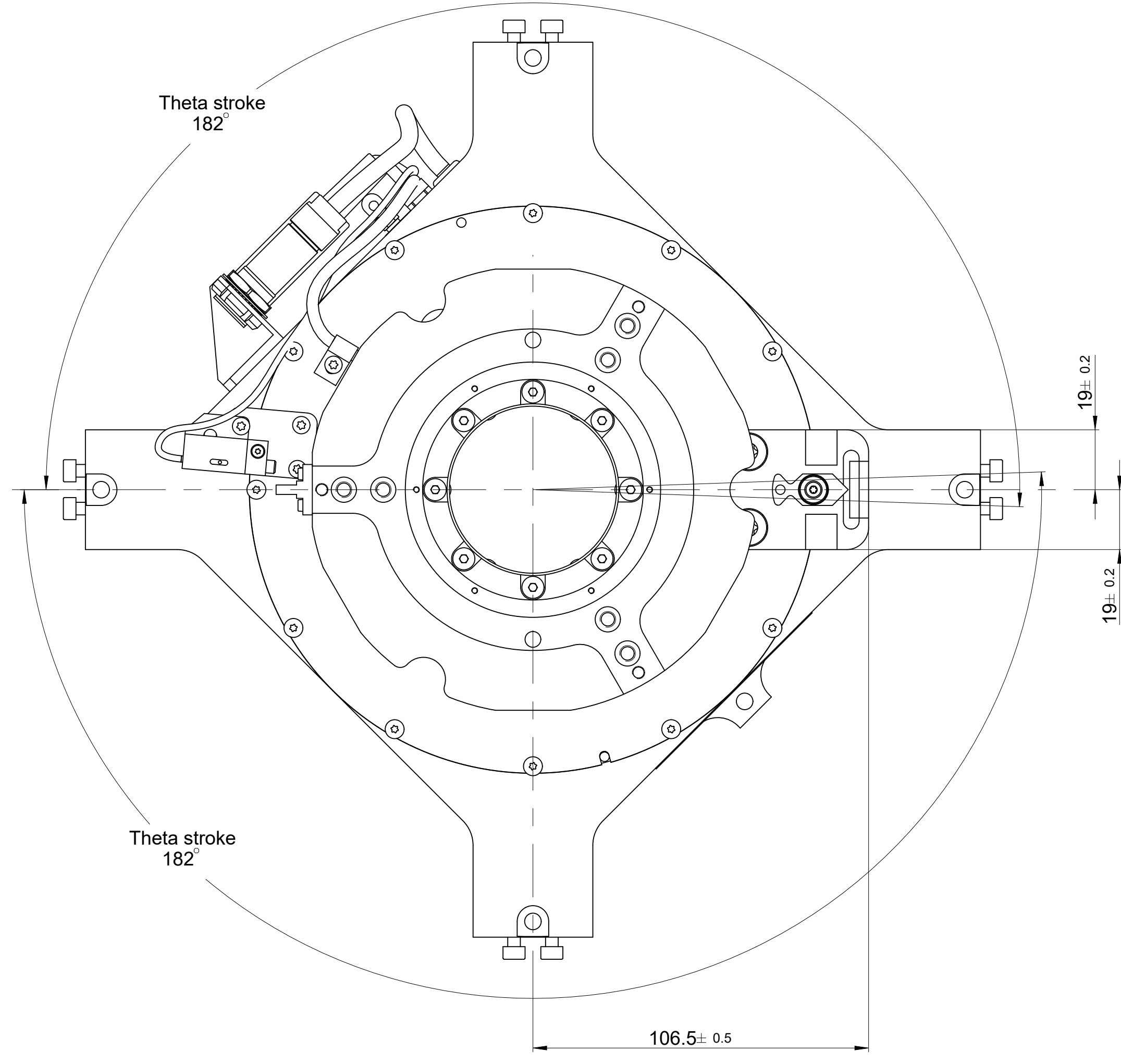
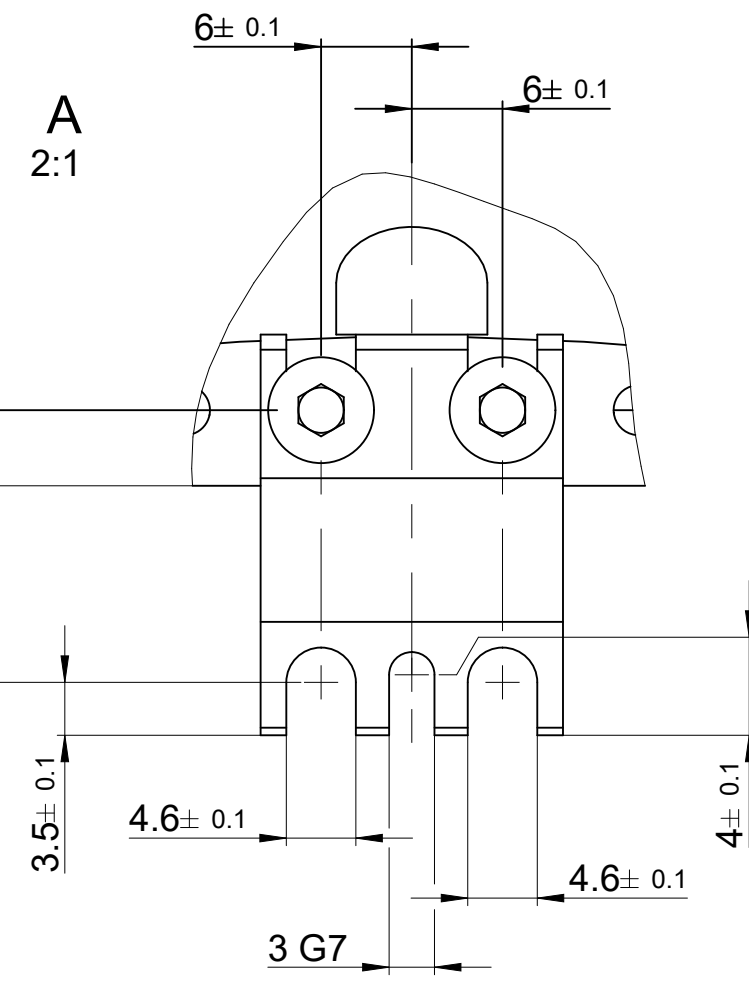
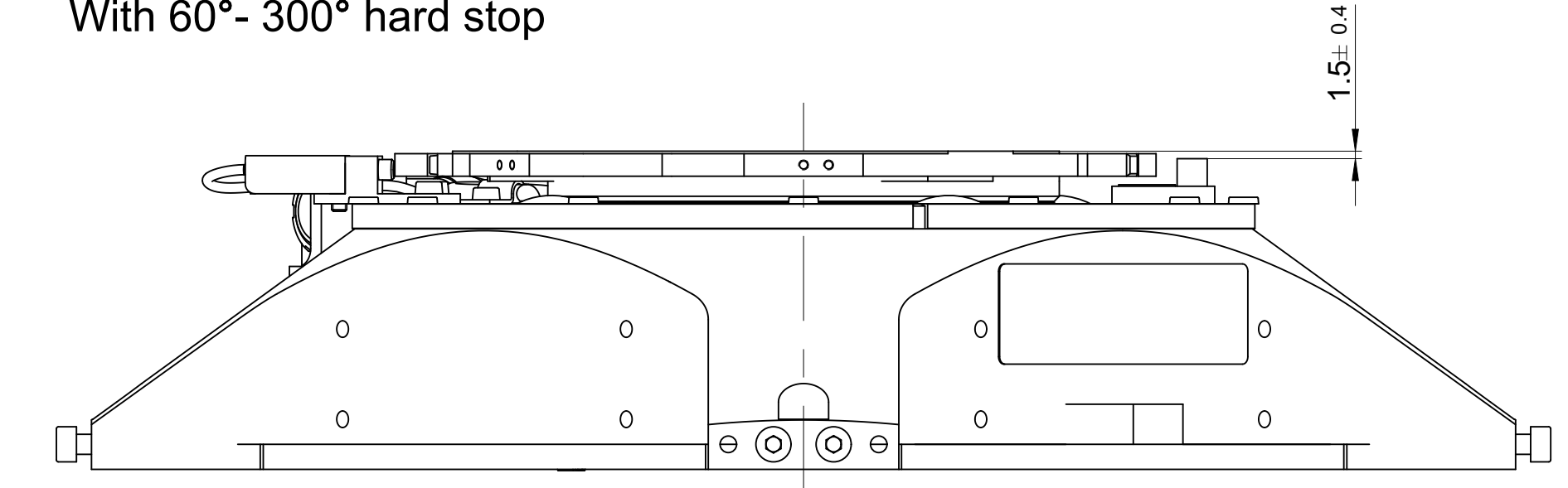
With 364° hard stop



With kit 4 interface legs



With 60° - 300° hard stop



| | | | |
|---|-------|-------------------------------------|-----------------------|
| Text: Screw penetration: Define min / max | | ID number: 1285346-01 | |
| Original drawing | Scale | Format | Change No. C139467-25 |
| RoHS 4:5 | A0 | DXRH0180-020 - full options | Released: 16-05-2022 |
| Dimensions in mm / Cotes en mm | | Material: Matiere: | |
| Workpiece edges ISO 13715 | | Surface as per ISO 1302 | |
| Etats de formes selon ISO 13715 | | Traitement de surface: | |
| General tolerances ISO 2768-mK | | Surface as per ISO 1302 | |
| Tolerances generales ISO 2768-mK | | Traitement de surface: | |
| Tolerances as per ISO 8015 : 2011 | | Surface treatment: | |
| Tolerances selon ISO 8015 : 2011 | | Traitement de surface: | |
| The reproduction, distribution and utilization of this document as well as the communication of its contents to others without express authorization is prohibited. Offenders will be held liable for the payment of damages. All rights reserved in the event of the grant of a patent, utility model or design. (ISO 16016) | | | |
| ETEL S.A. 2112 Môtres SWITZERLAND | | Version (Revision/Sheet): 3 of 3 | |
| 1323364-05-A-01 | | Document number | |