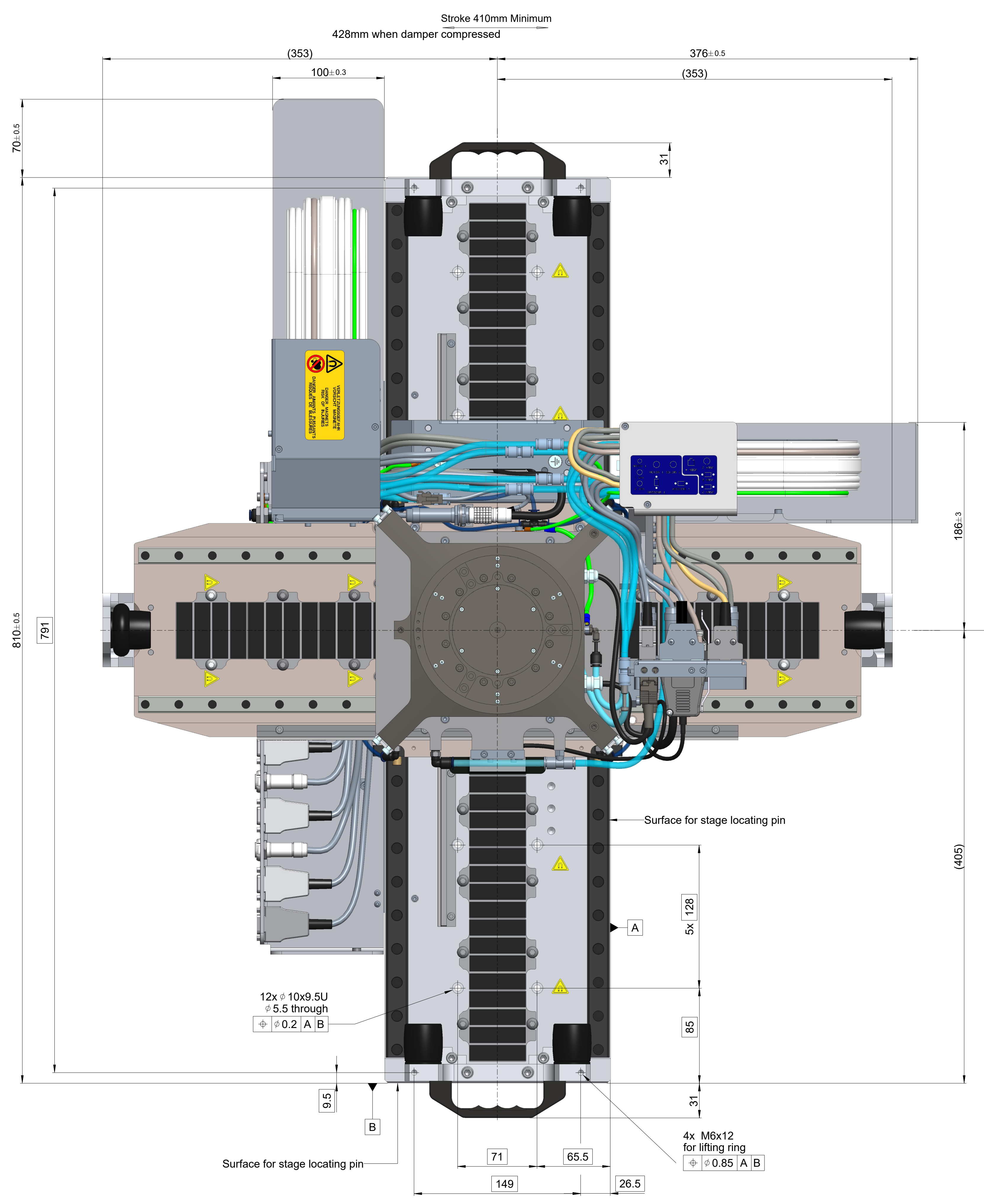
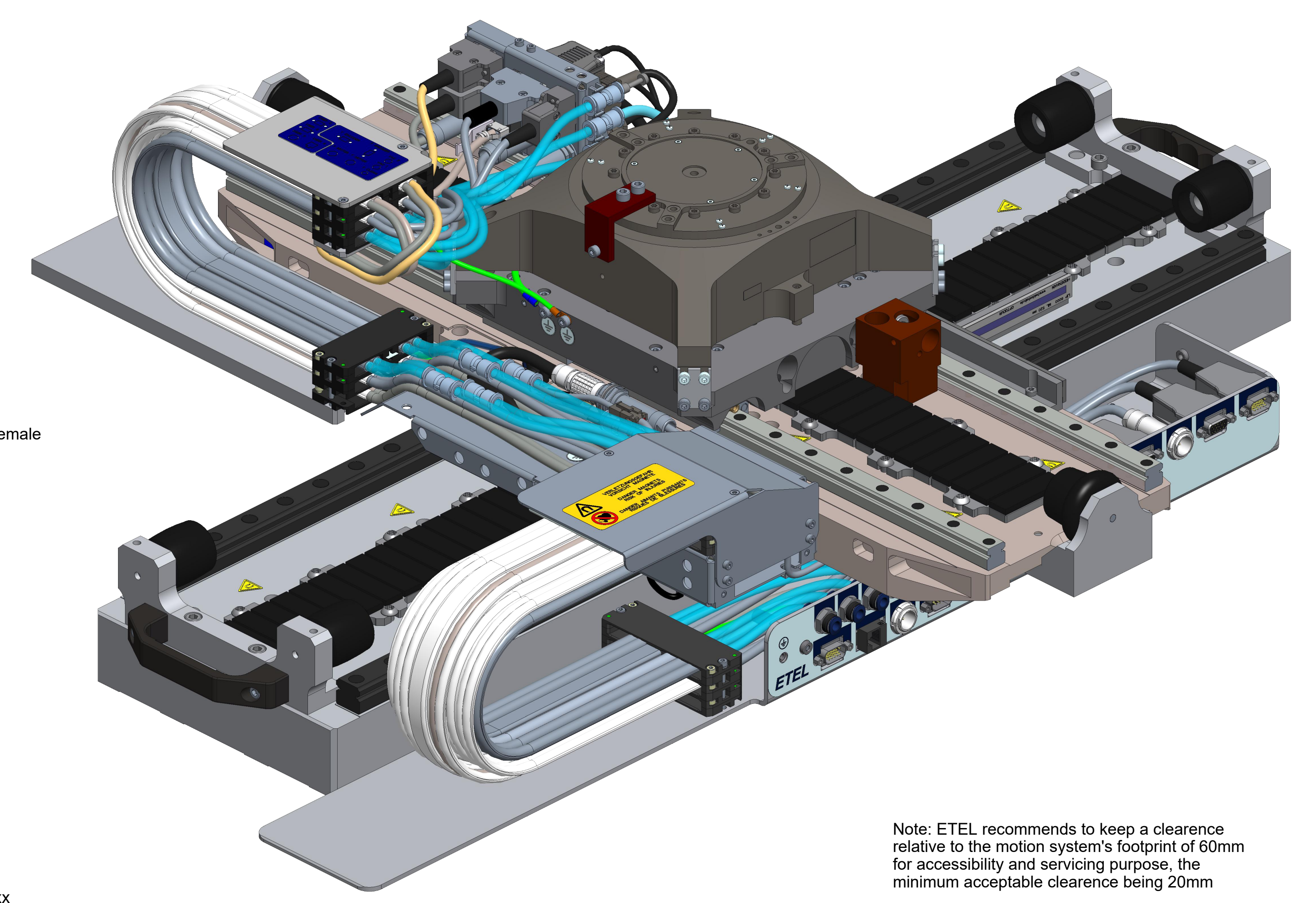
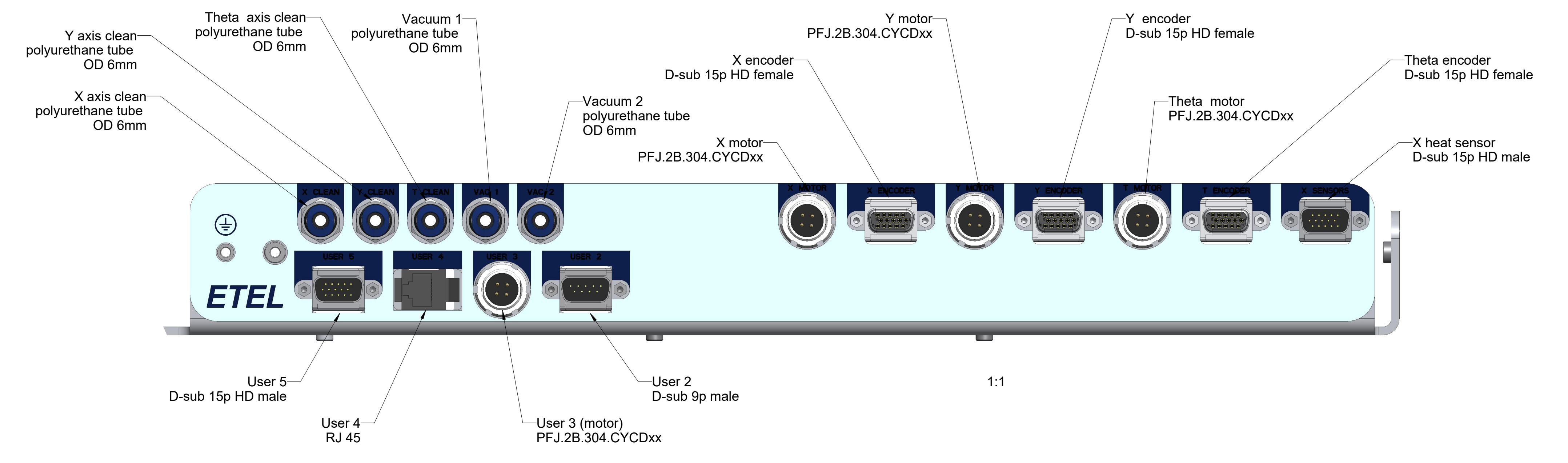
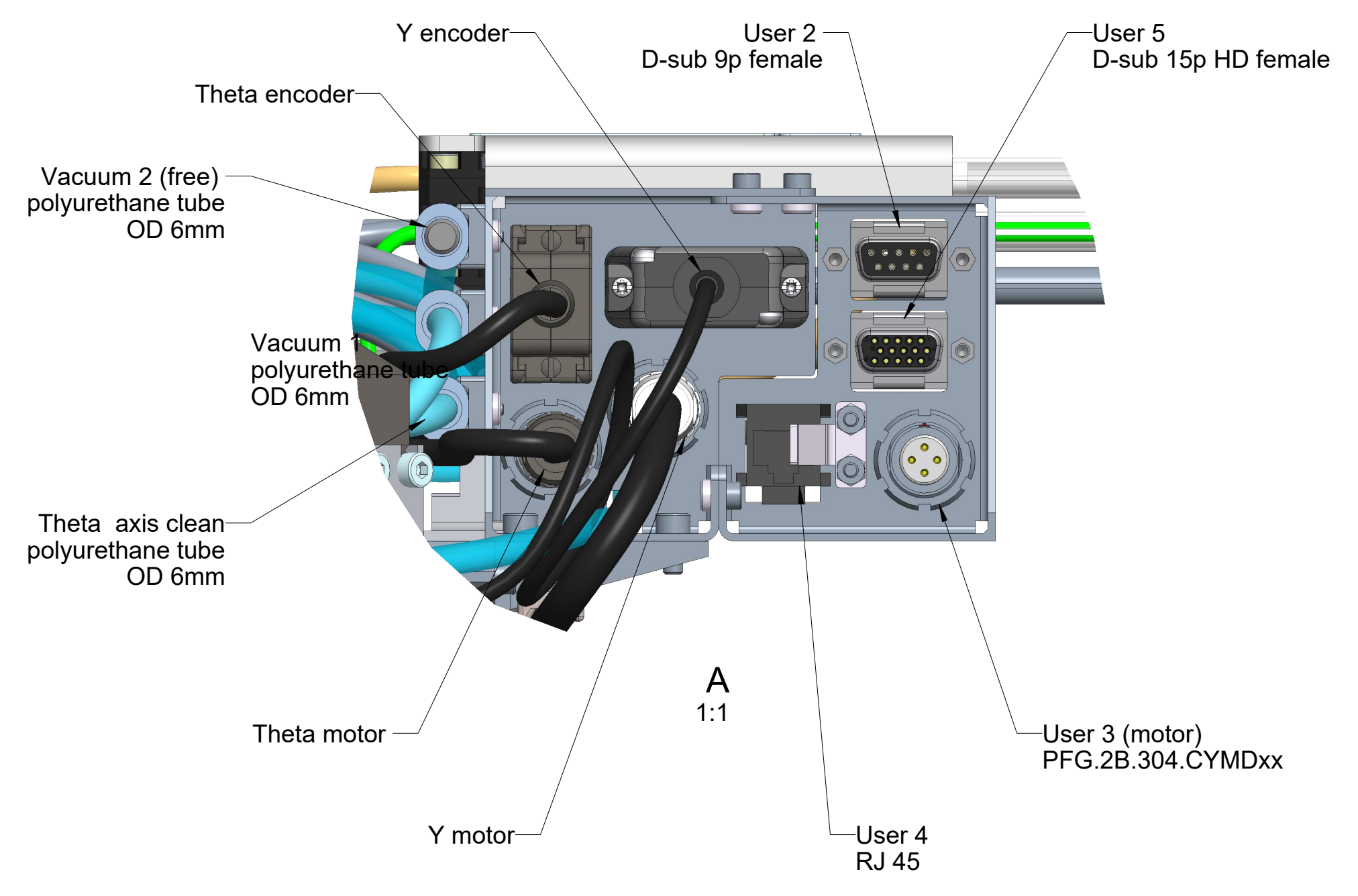


Y AXIS



X AXIS



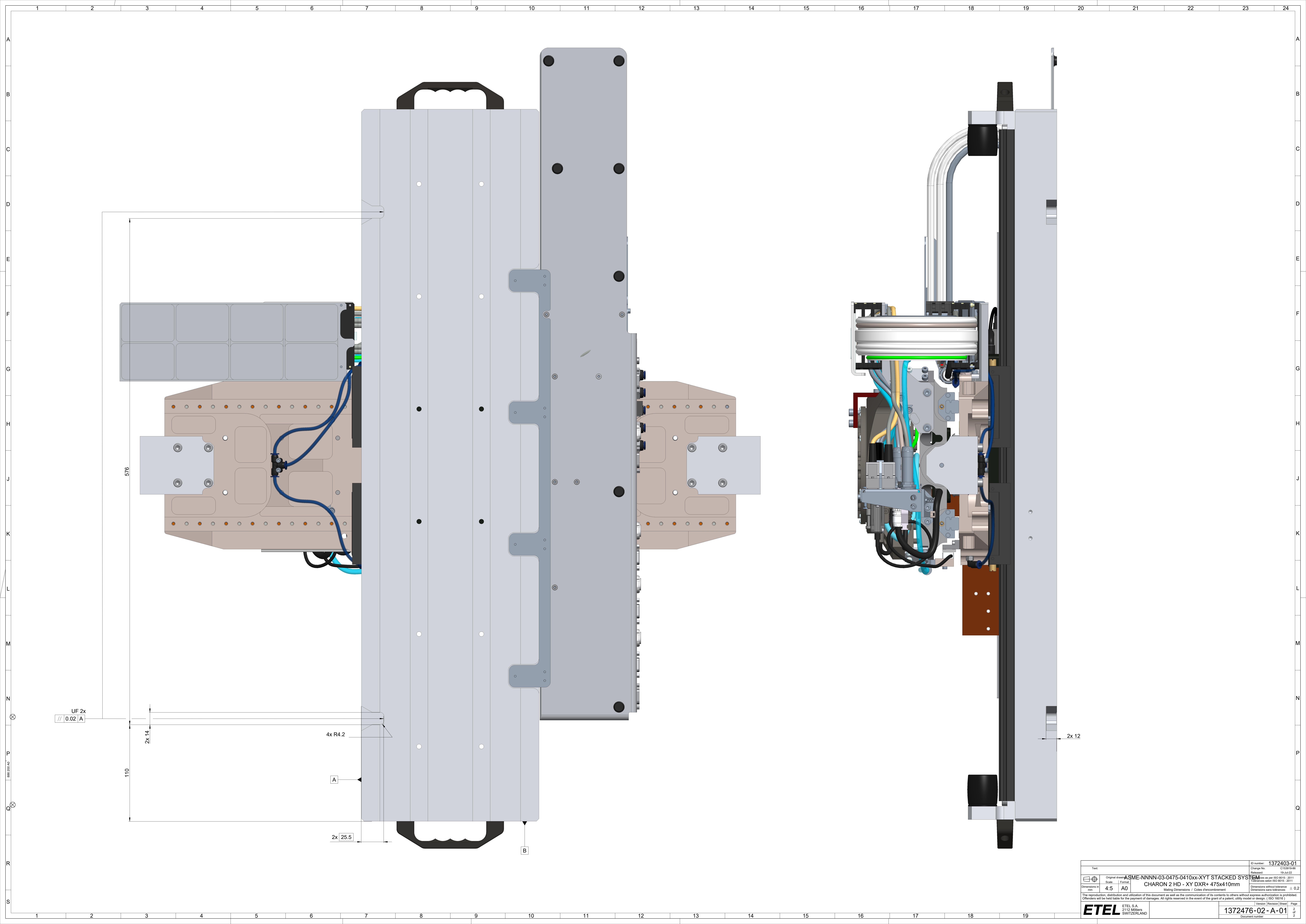
DXR+ Options table

Hard stop option	No
Air purge	Choice 4
Chuck vacuum tube connect	No
Chuck vacuum chamber	No
Covers option	Yes
Mounting plates option	Integrated
Kit vacuum chuck 45"	Yes
Kit vacuum chuck 6 and 7 tubes	No

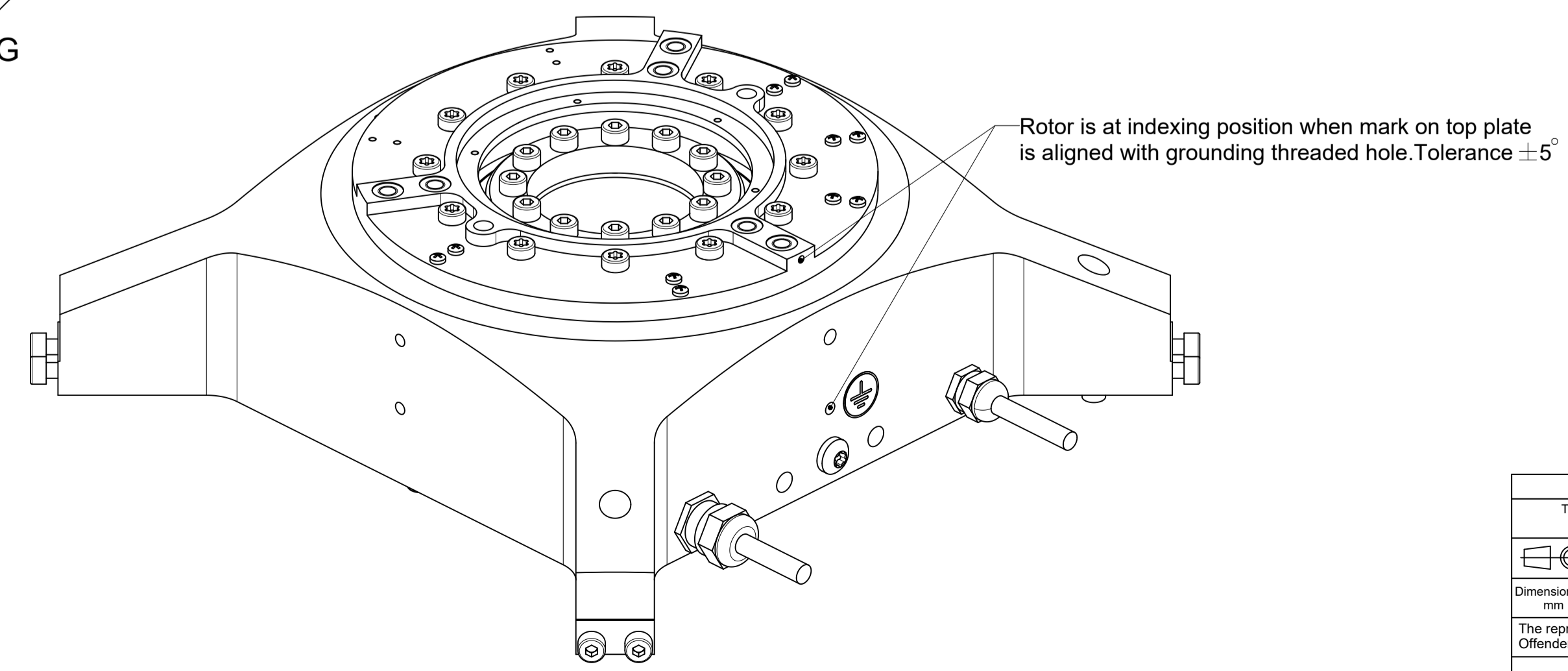
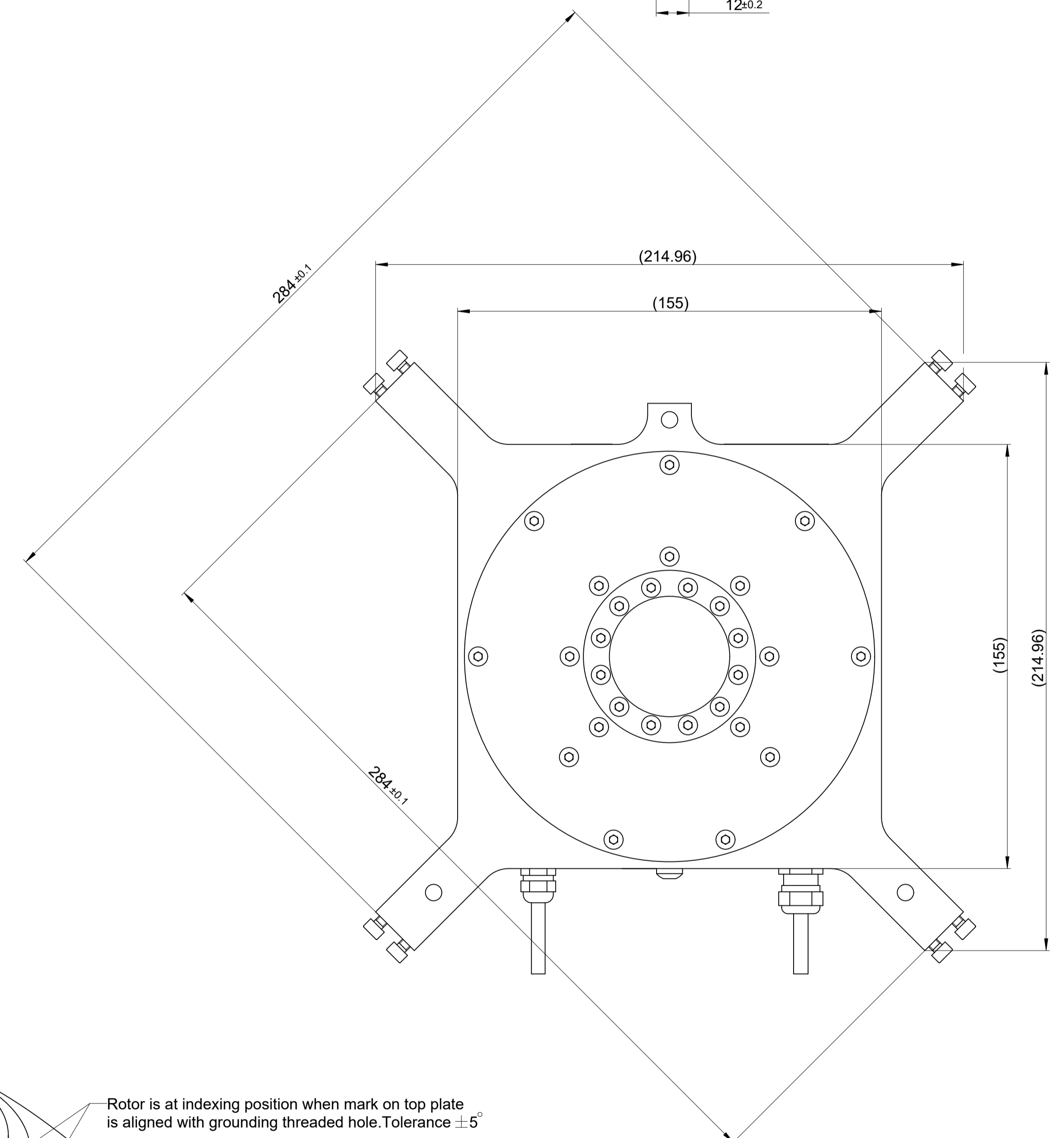
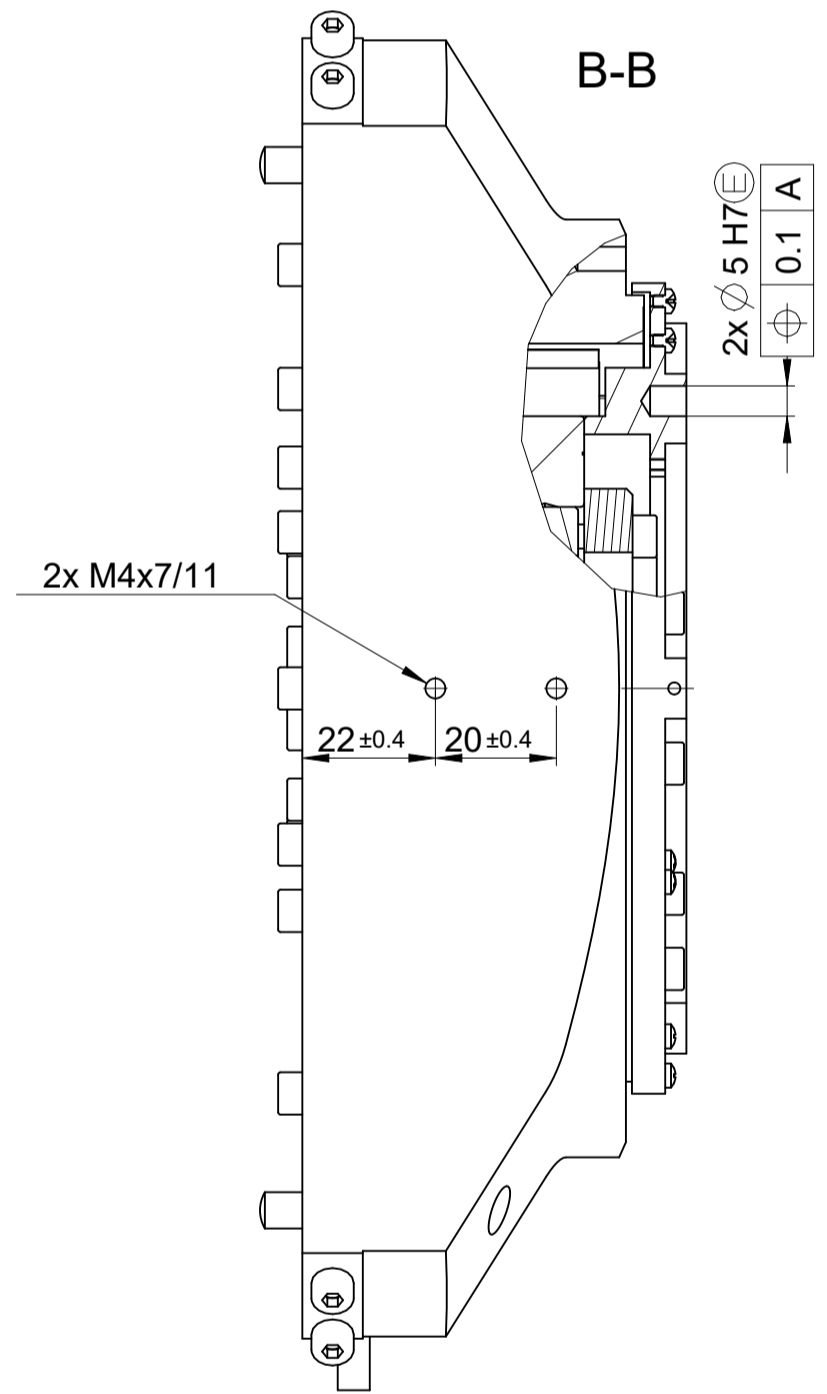
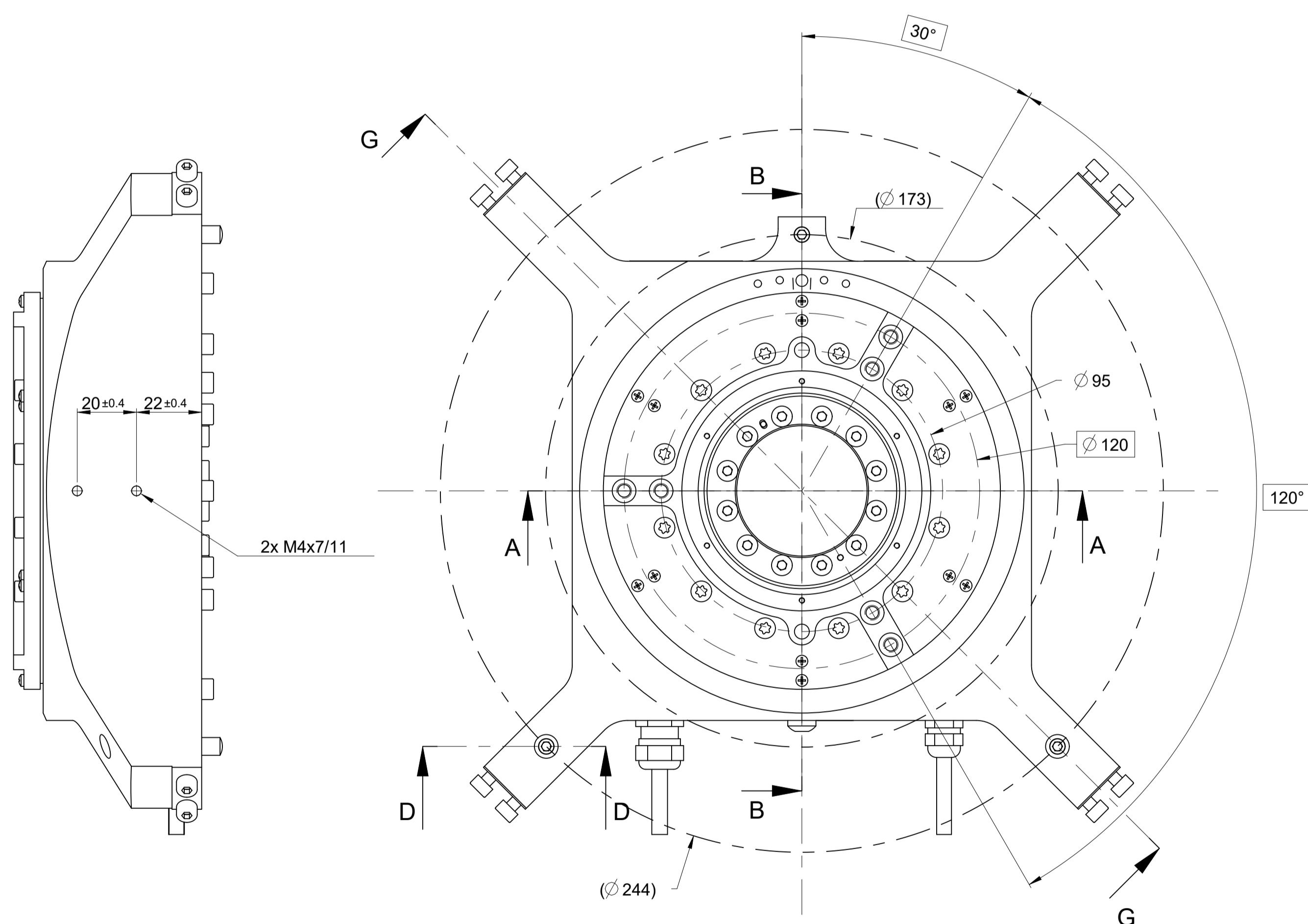
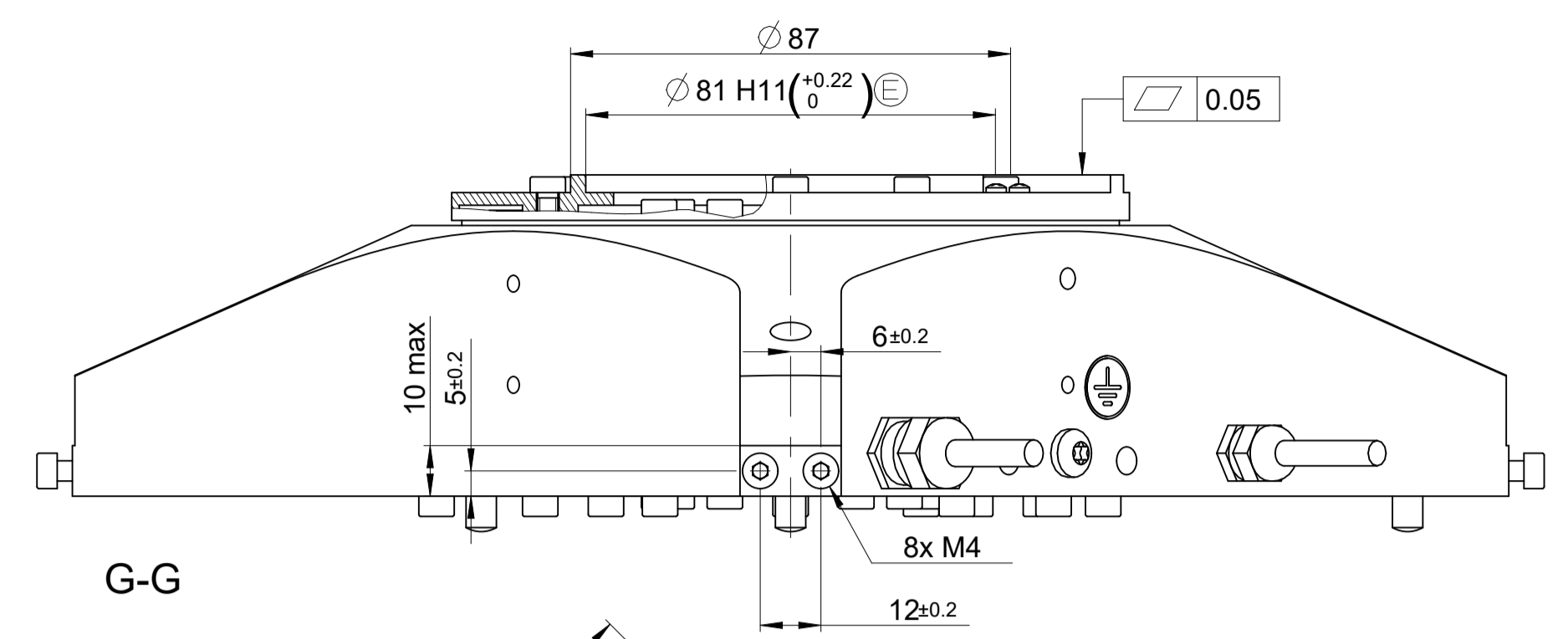
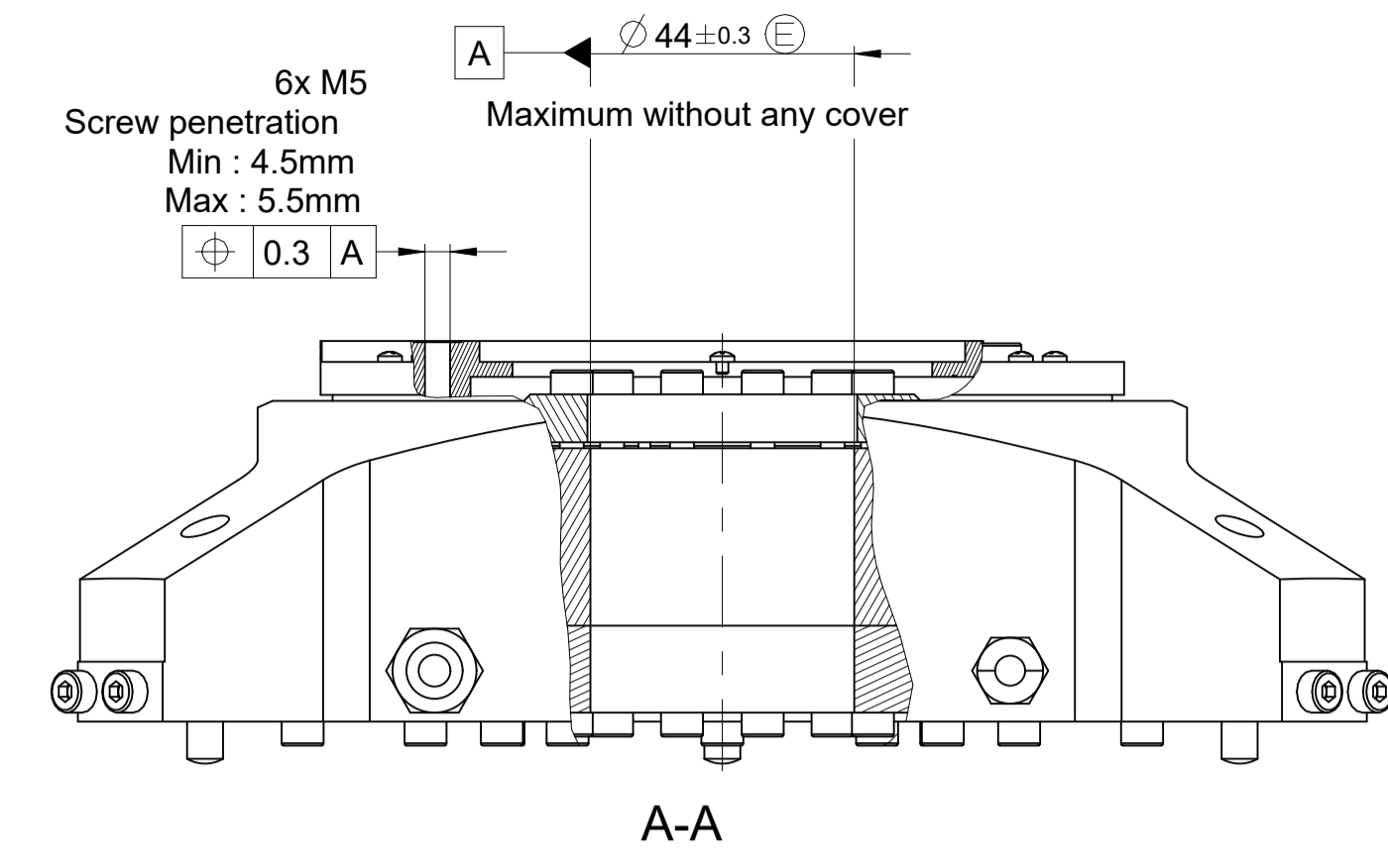
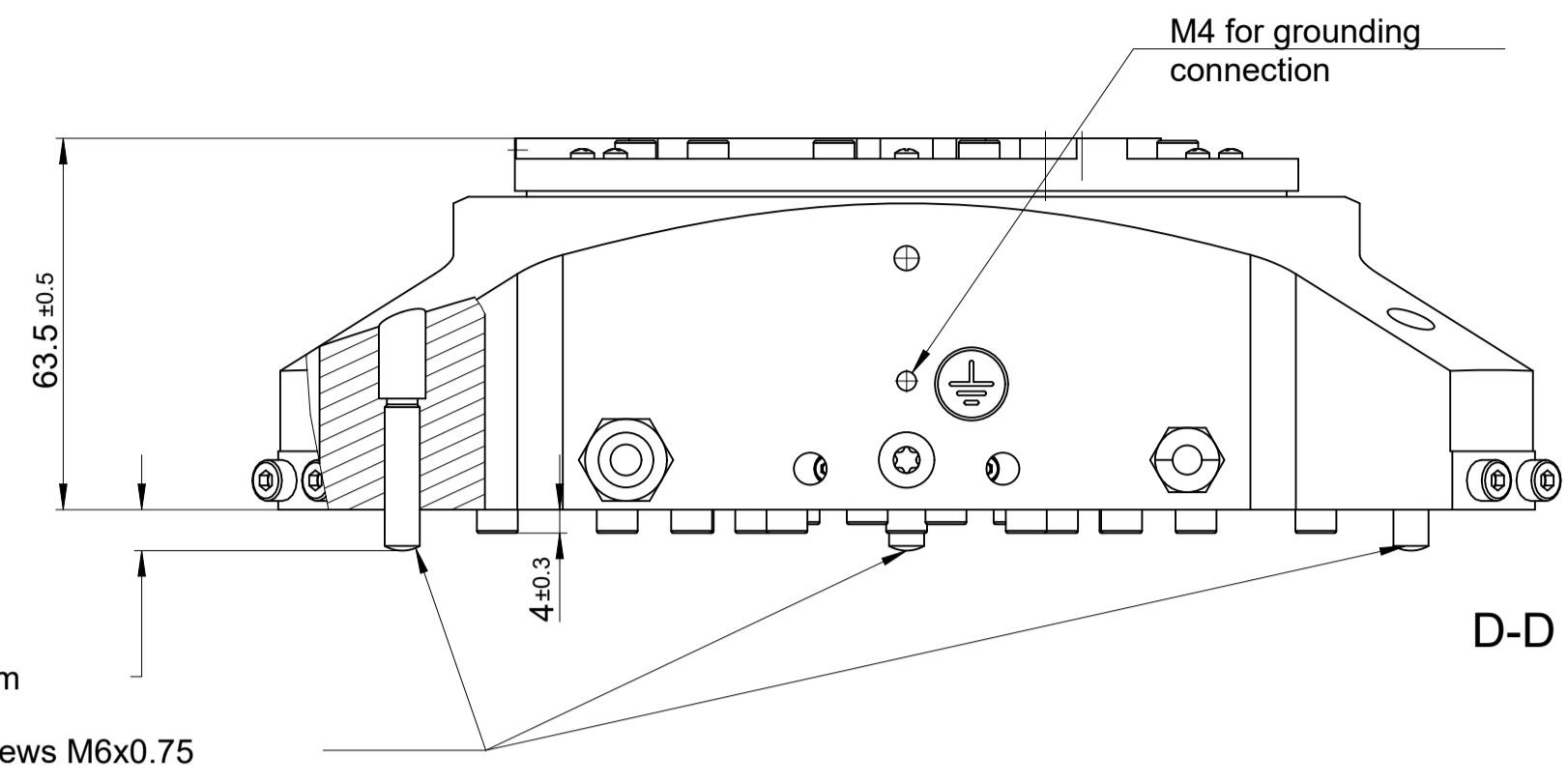
Note: ETEL recommends to keep a clearance relative to the motion system's footprint of 60mm for accessibility and servicing purpose, the minimum acceptable clearance being 20mm

It is required to mount Charon 2 stages on a granite or equivalent flat surface with a flatness inferior or equal to 3 microns

Text:		ID number:	1372403-01
Original drawing	ASME-NNNN-03-0475-0410xx-XYT STACKED SYSTEM	Change No.	010307198
Scale: 1:1	CHARON 2 HD - XY DXR+ 475x410mm	Released:	19.10.22
Dimensions in mm	ASME-NNNN-03-0475-0410xx-XYT STACKED SYSTEM	Tolerances as per ISO 8015 : 2011	
	ASME-NNNN-03-0475-0410xx-XYT STACKED SYSTEM	Tolerances series ISO 8015 : 2011	
		Dimensions without tolerance	±0.2
The reproduction, distribution and utilization of this document as well as the communication of its contents to others without express authorization is prohibited. Offenders will be held liable for the payment of damages. All rights reserved in the event of a patent, utility model or design. (ISO 16016)			
ETEL S.A. 2112 Môtier SWITZERLAND		1372476-02-A-01	

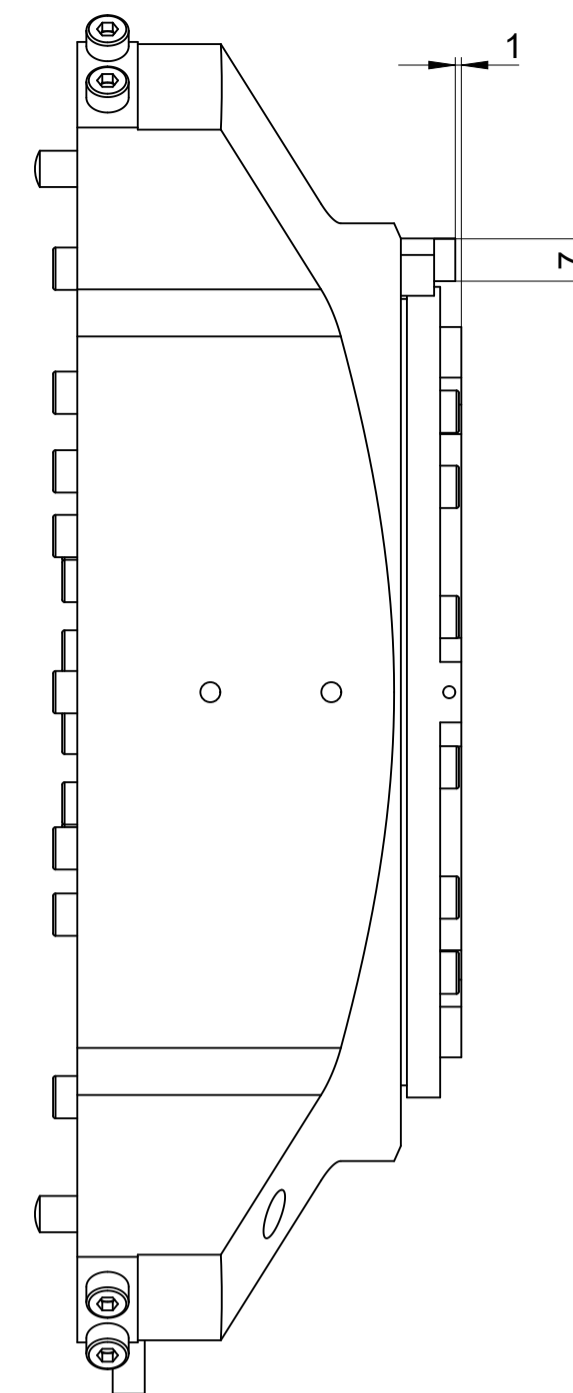
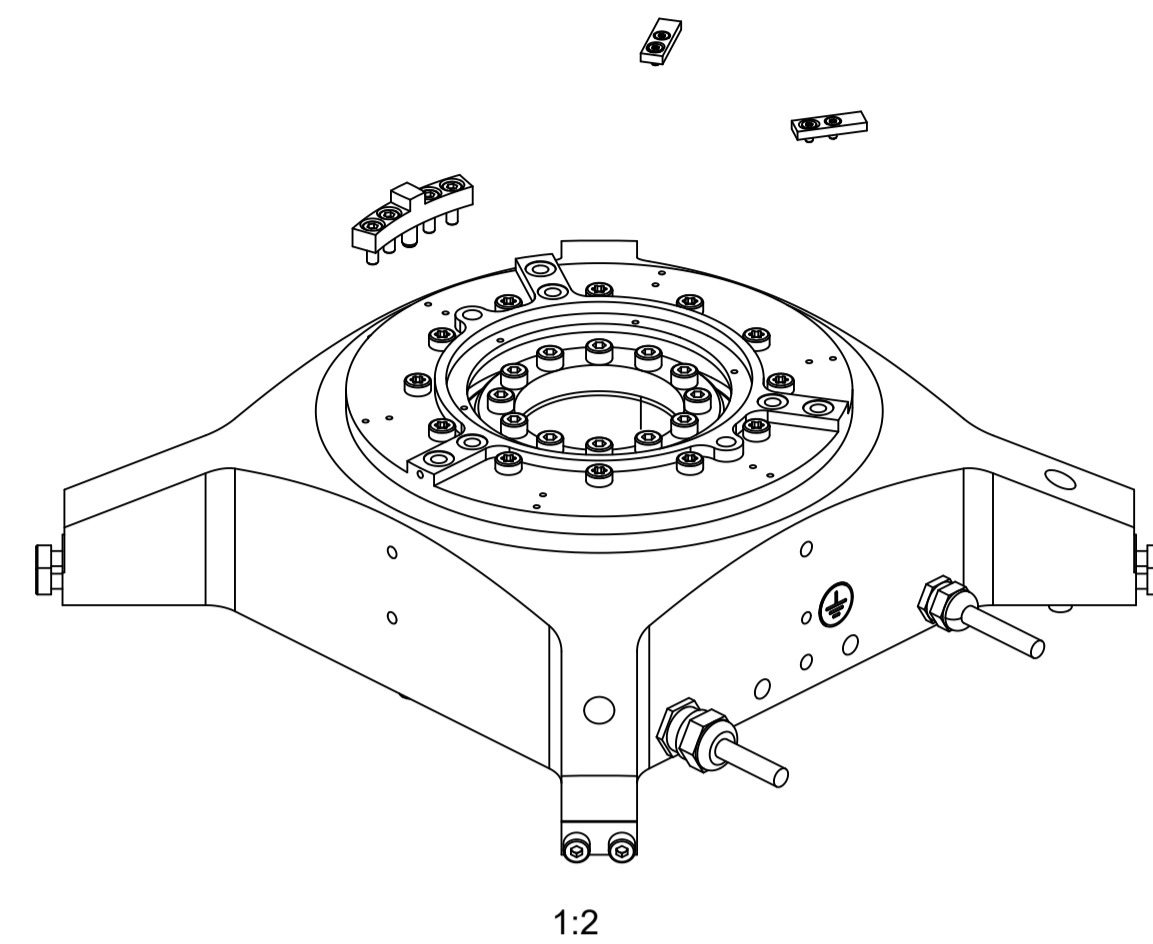
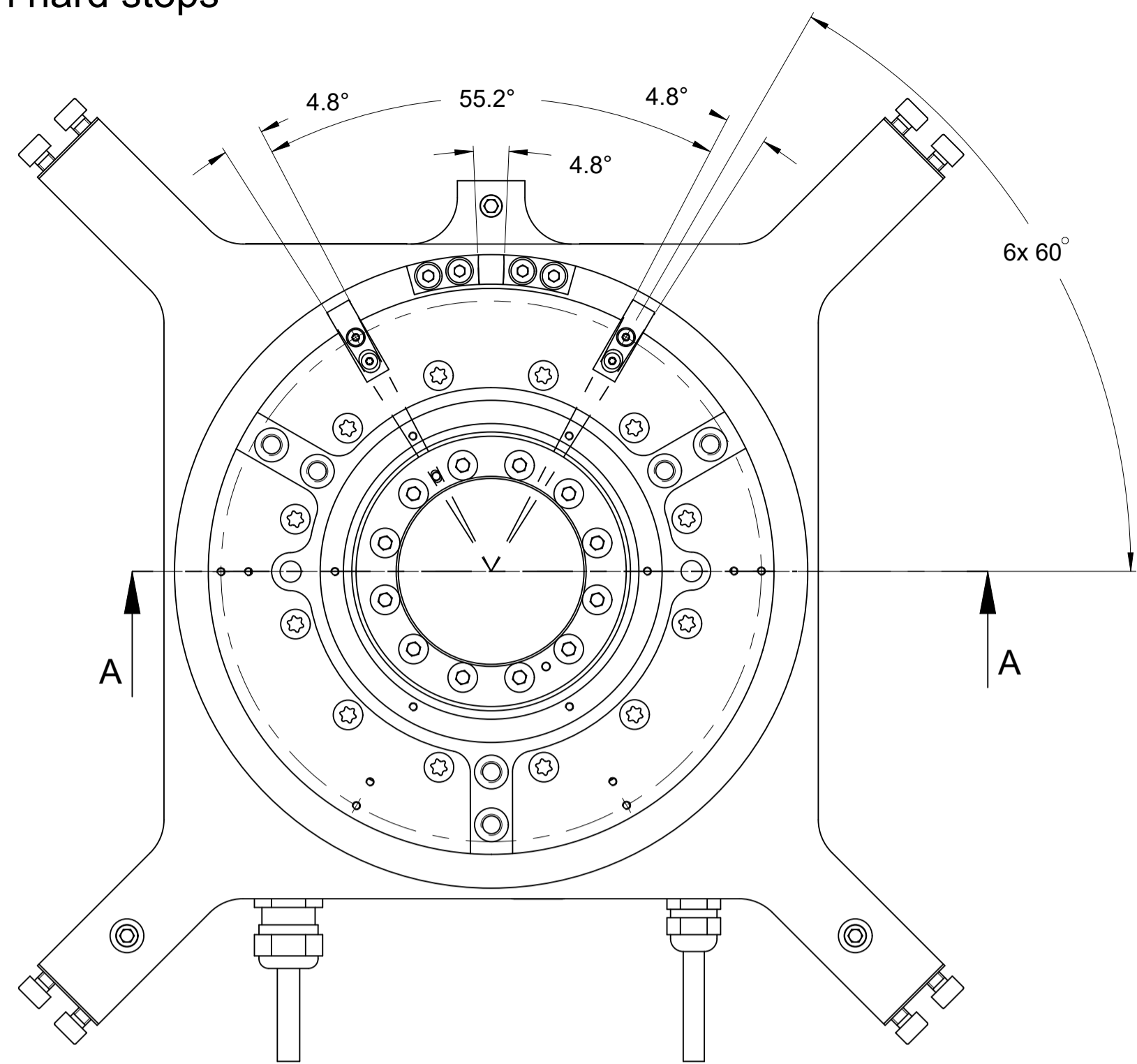


Text:		ID number:	1372403-01
Original drawing:		Change No.:	010071948
Scale:		Released:	19.10.22
ASME-NNNN-03-0475-0410xx-XYT STACKED SYSTEM		EM as per ISO 8015: 2011	
CHARON 2 HD - XY DXR+ 475x410mm		Conformance with ISO 8015: 2011	
Dimensions in mm:	4.5 A0	Dimensions without tolerance:	0.2
The reproduction, distribution and utilization of this document as well as the communication of its contents to others without express authorization is prohibited. Offenders will be held liable for the payment of damages. All rights reserved in the event of a patent, utility model or design. (ISO 16016)		ETEL S.A. 2112 Môtte SWITZERLAND	
1372476-02-A-01		1372476-02-A-01	

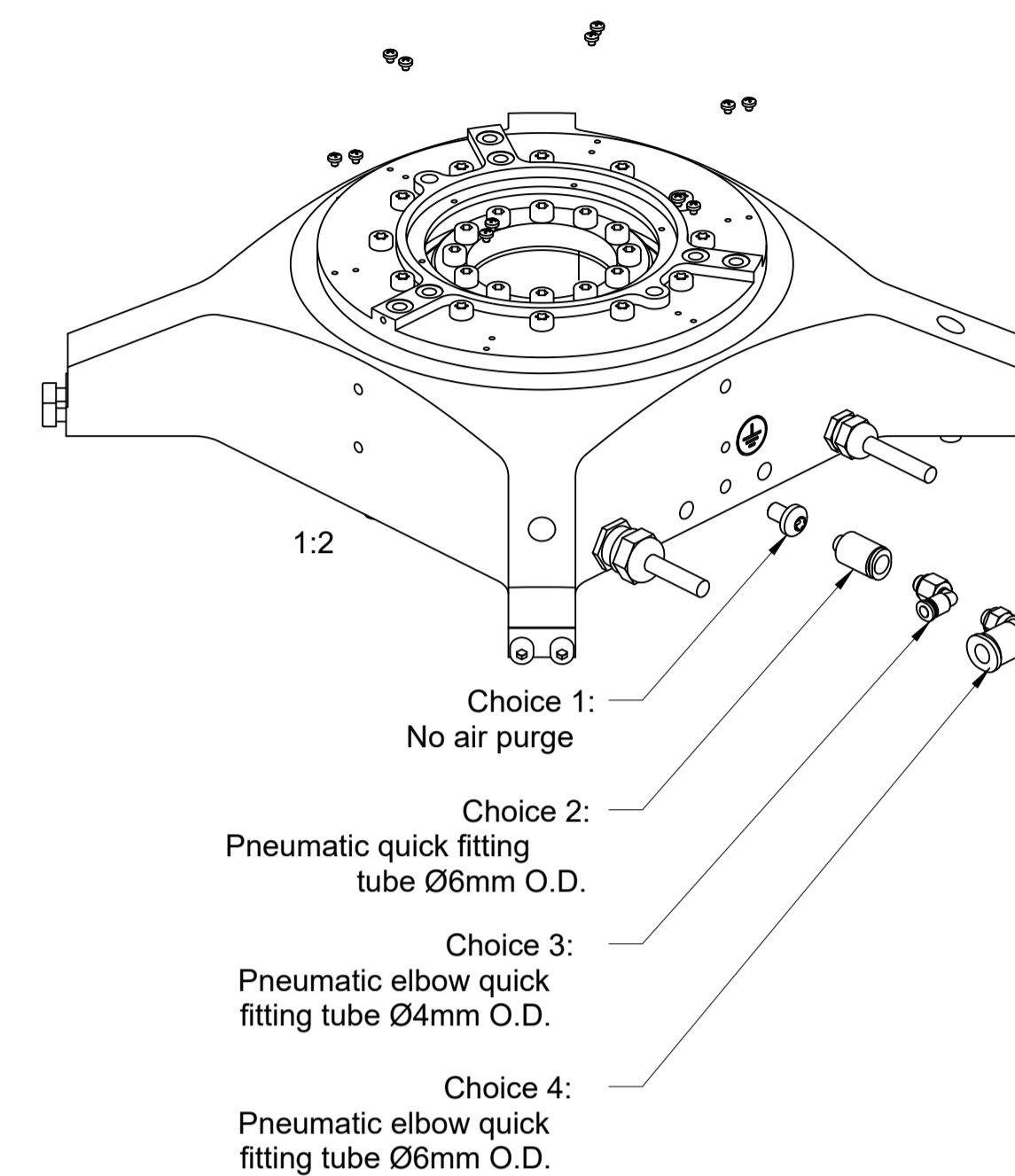


Text: Add customer recommendation drawing + wobble kit and option free shaft		ID number: 1226183-01
Change No. C114016-05		Released: 07-Nov-22
Tolerances as per ISO 8015 : 2011 Tolerances selon ISO 8015 : 2011		Dimensions without tolerance Dimensions sans tolérances ± 0.2
Original drawing	Scale 4:5	Format A1
DXR+ 155 - All options DXR+ 155 - All options		Mating Dimensions / Cotes d'encadrement
The reproduction, distribution and utilization of this document as well as the communication of its contents to others without express authorization is prohibited. Offenders will be held liable for the payment of damages. All rights reserved in the event of the grant of a patent, utility model or design. (ISO 18015)		Version Revision Sheet Page
ETEL ETEL S.A. 2112 Möllers SWITZERLAND		1226330-04 - A-01 Document number
		1 of 4

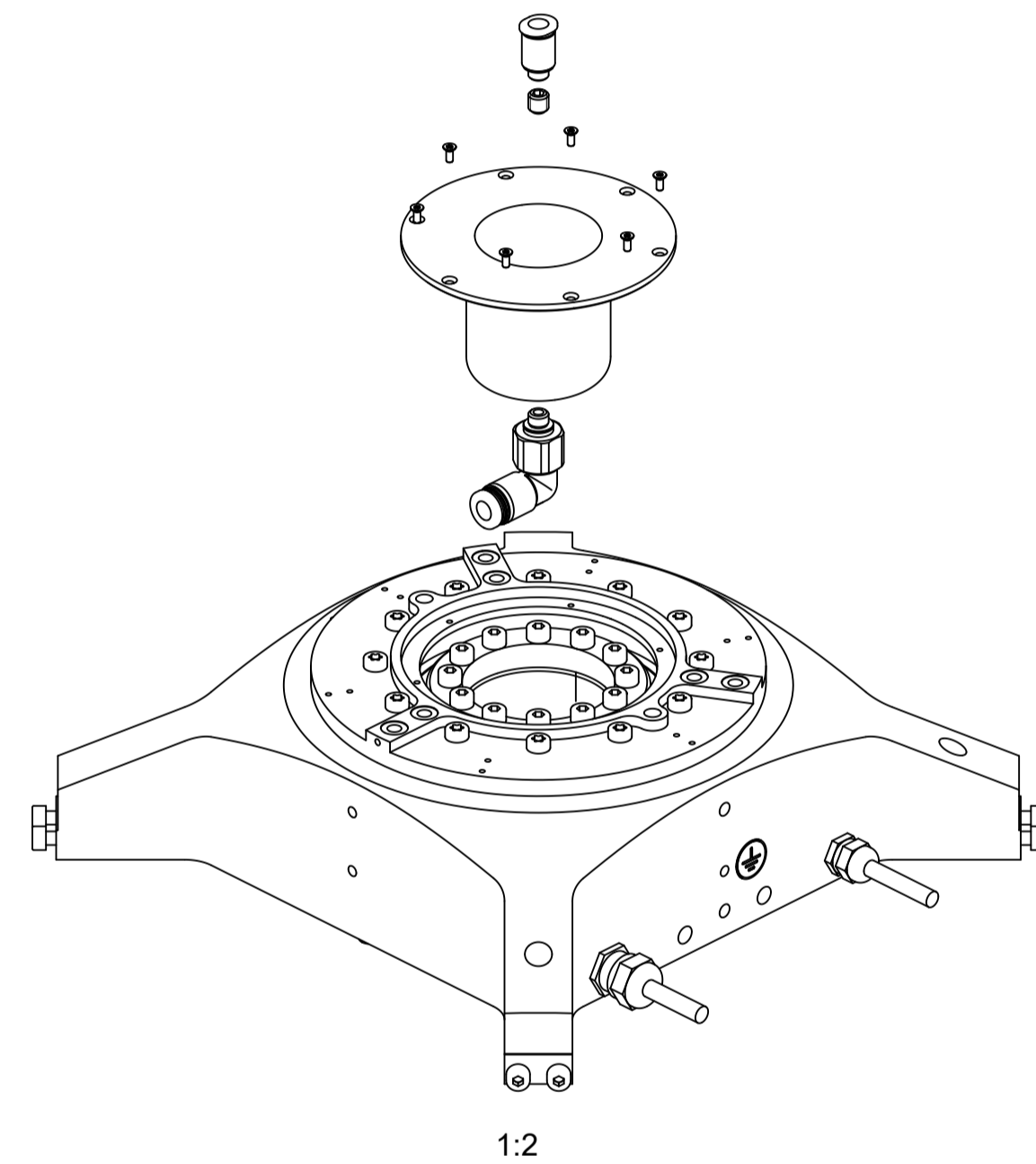
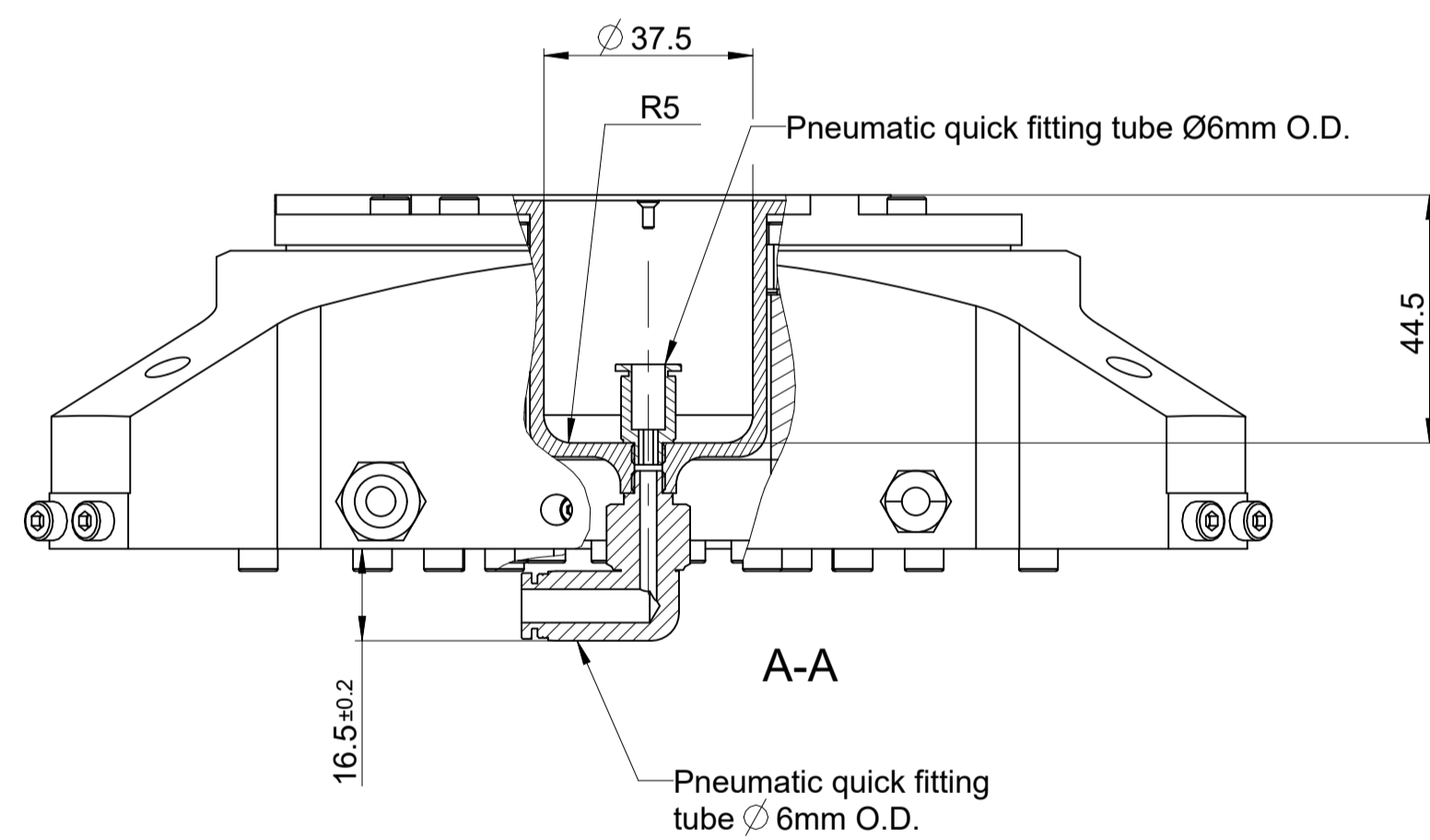
Option hard stops



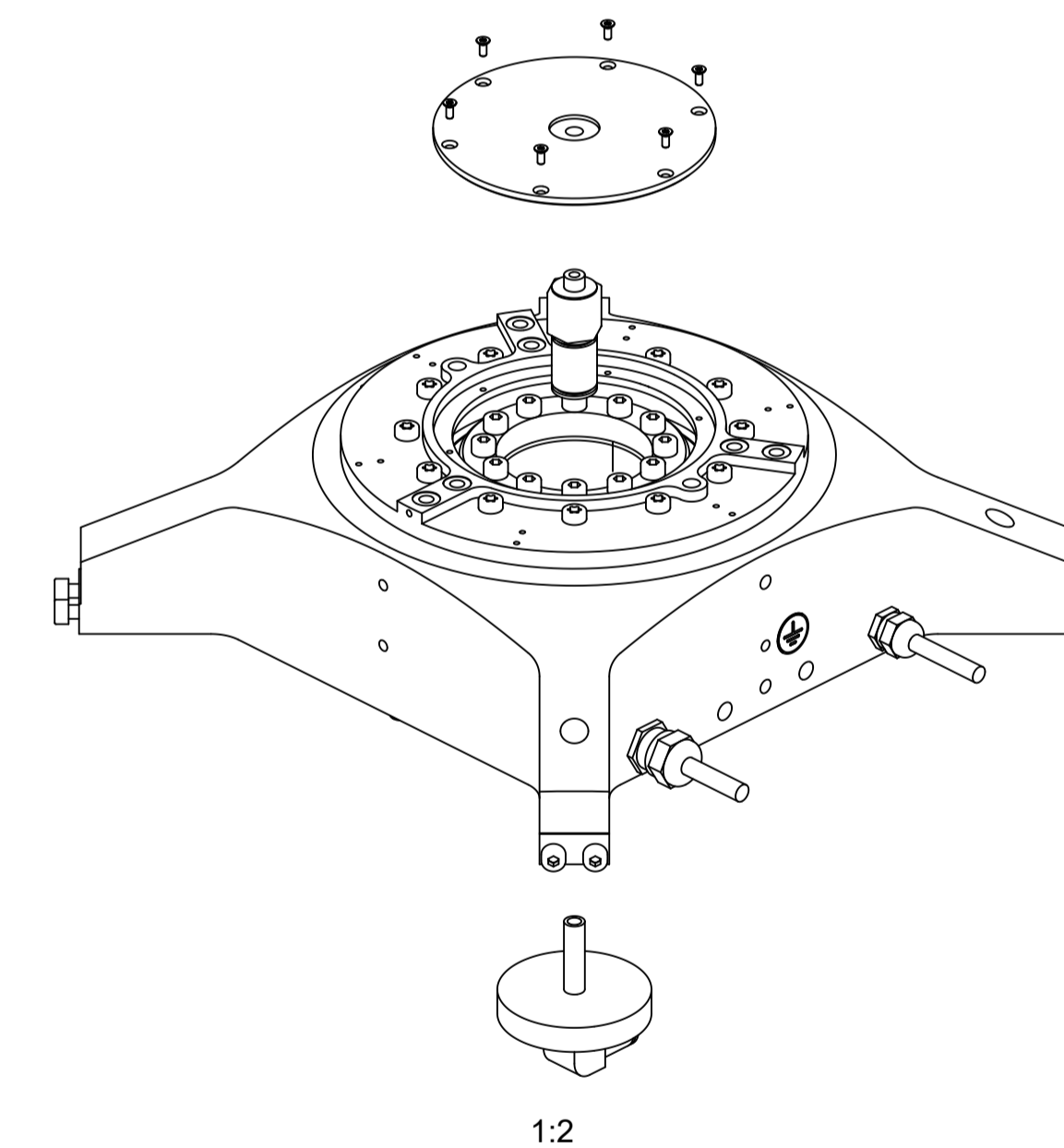
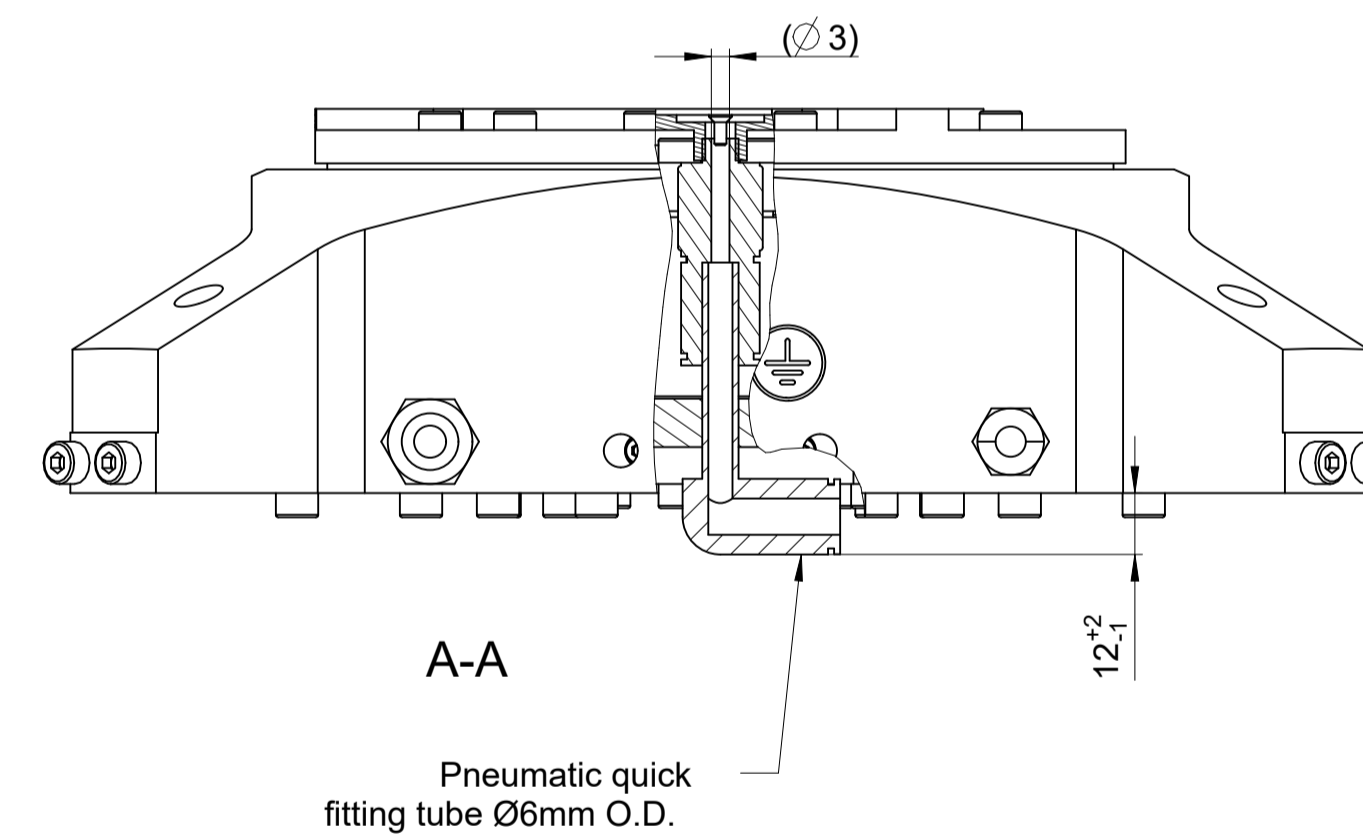
Option air purge



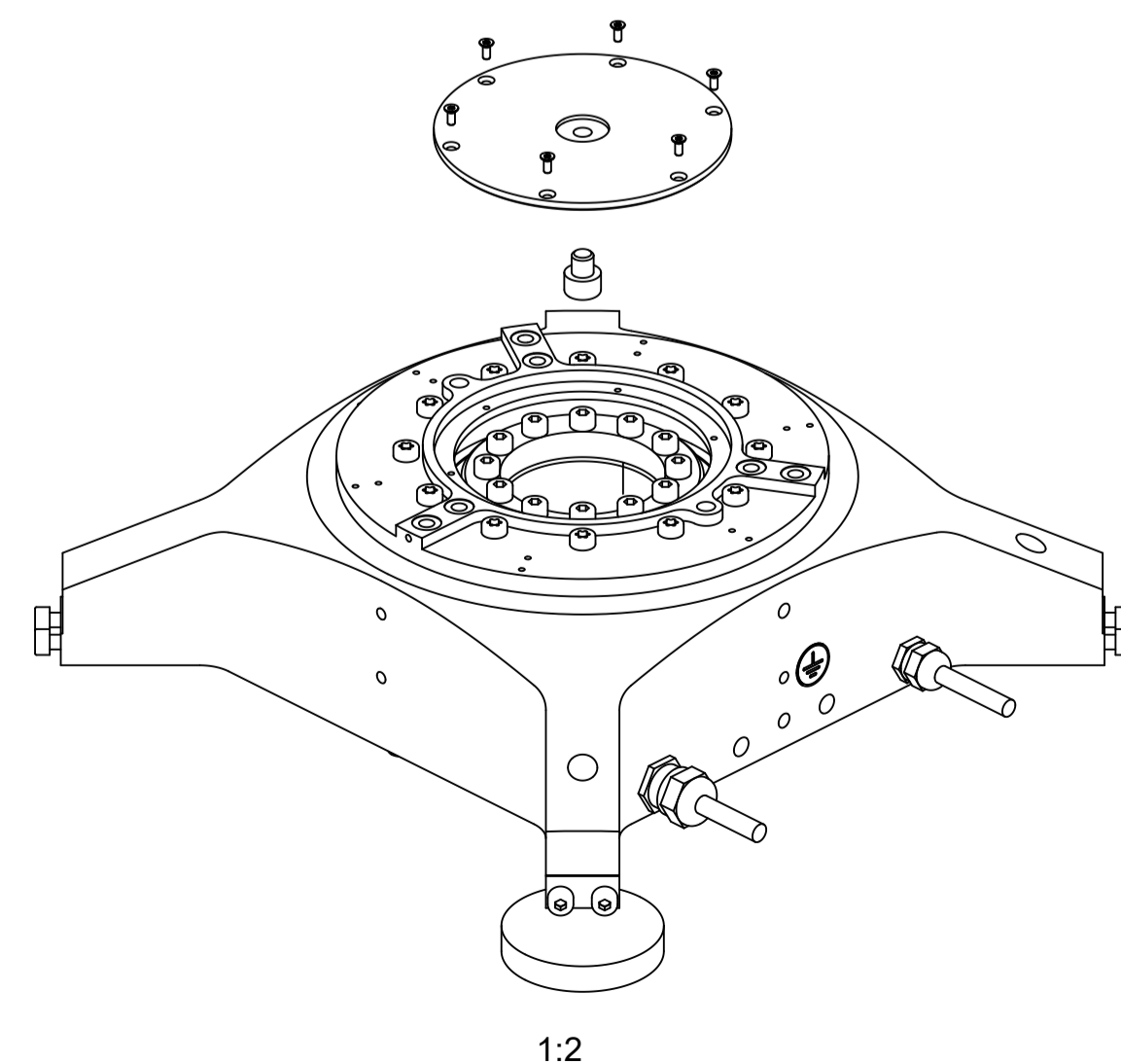
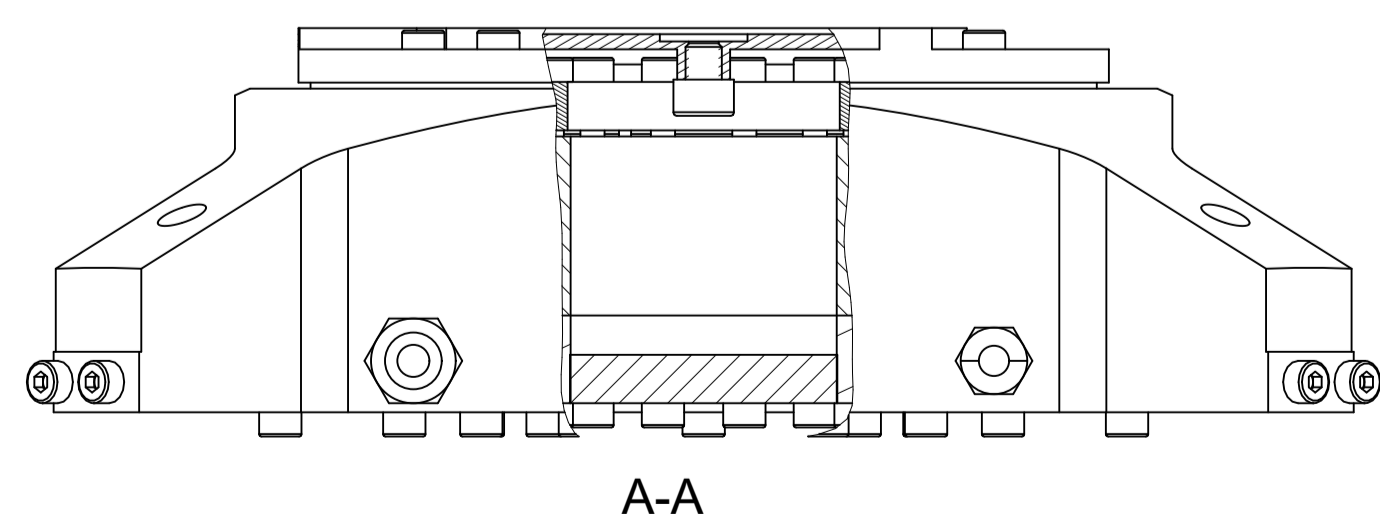
Option chuck vacuum, tube connect



Option chuck vacuum chamber

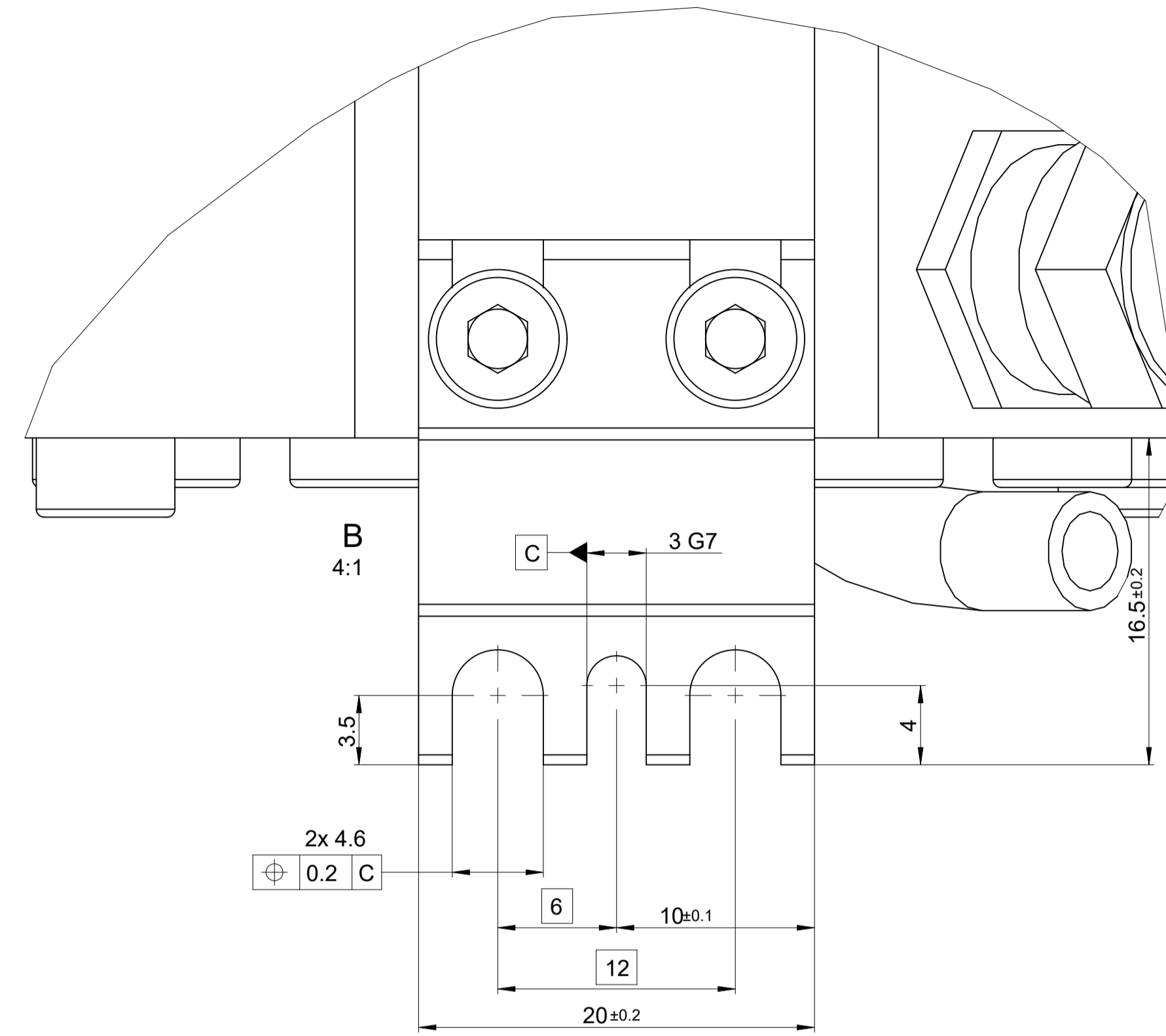
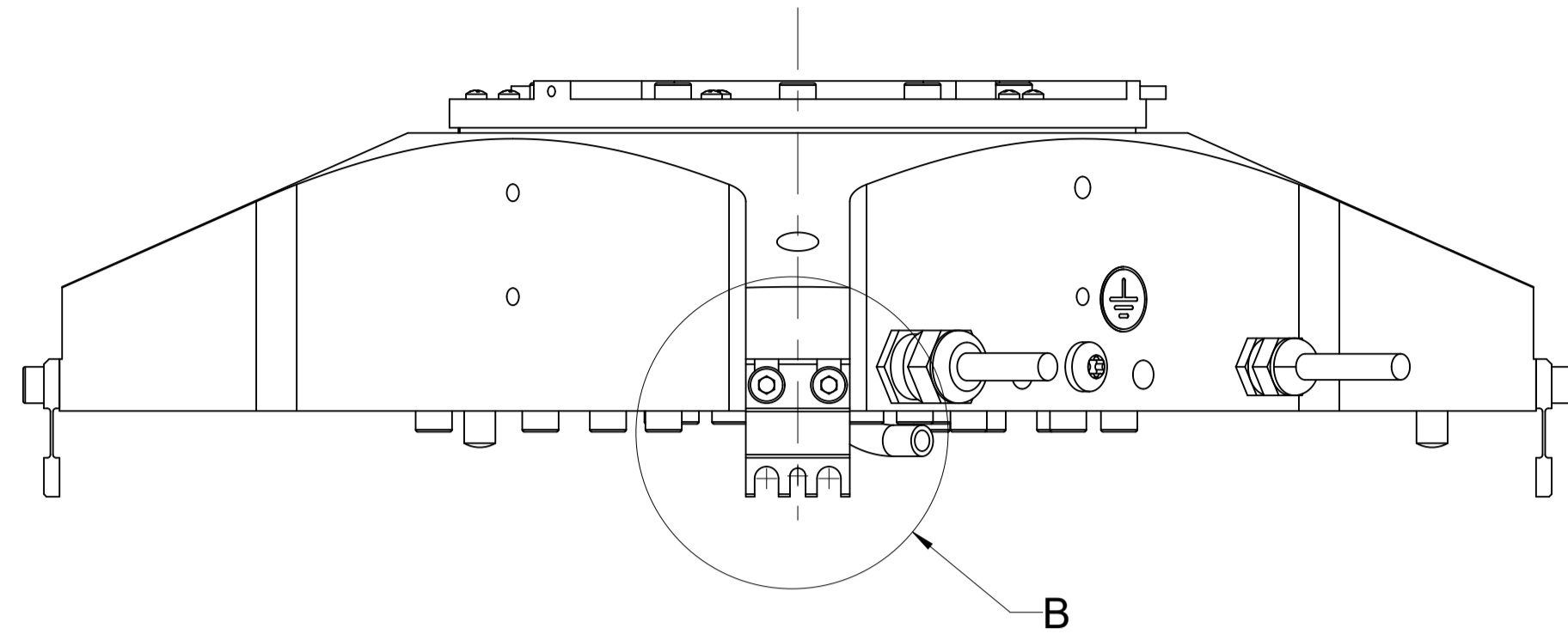


Option covers

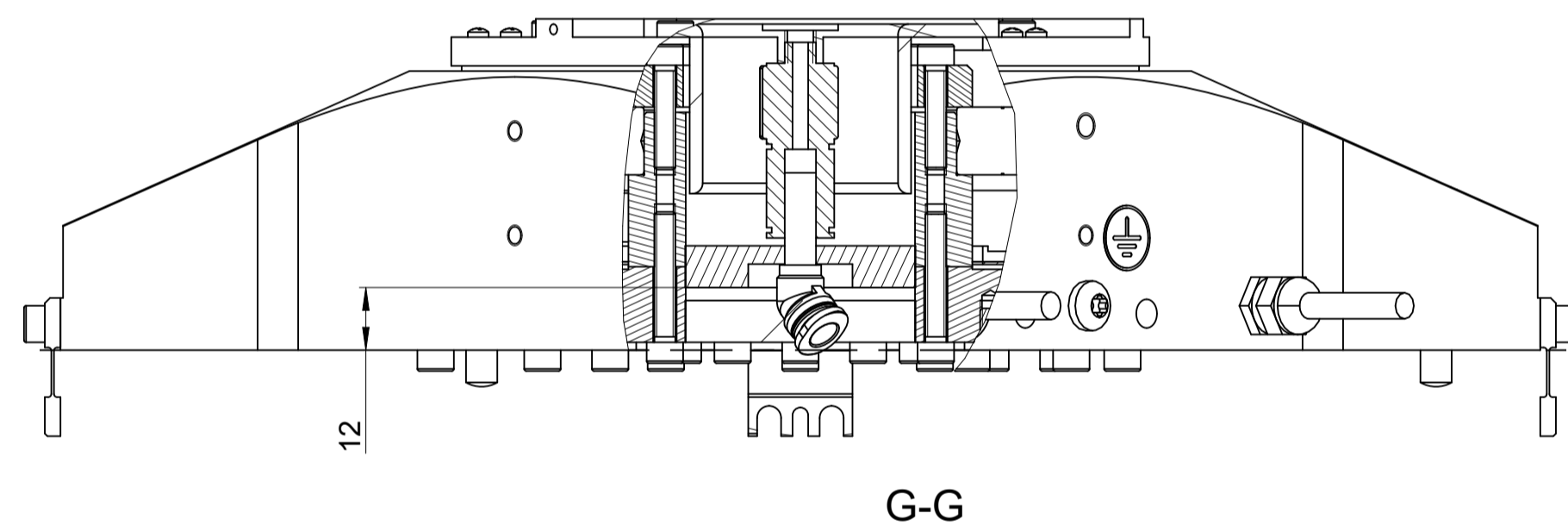


Text: Add customer recommendation drawing + wobble kit and option free shaft			ID number: 1226183-01
Original drawing			Change No. C114016-05
Scale 4:5			Released: 07-Nov-22
Format A1			Tolerances as per ISO 8015 : 2011
Dimensions in mm			Tolerances selon ISO 8015 : 2011
			Dimensions without tolerance ± 0.2
			Dimensions sans tolérances ± 0.2
			Mating Dimensions / Cotes d'encastrement
The reproduction, distribution and utilization of this document as well as the communication of its contents to others without express authorization is prohibited. Offenders will be held liable for the payment of damages. All rights reserved in the event of the grant of a patent, utility model or design. (ISO 18015)			Version Revision Sheet Page
ETEL S.A. 2112 Möllers SWITZERLAND			1226330-04 - A-01 Document number
			2 of 4

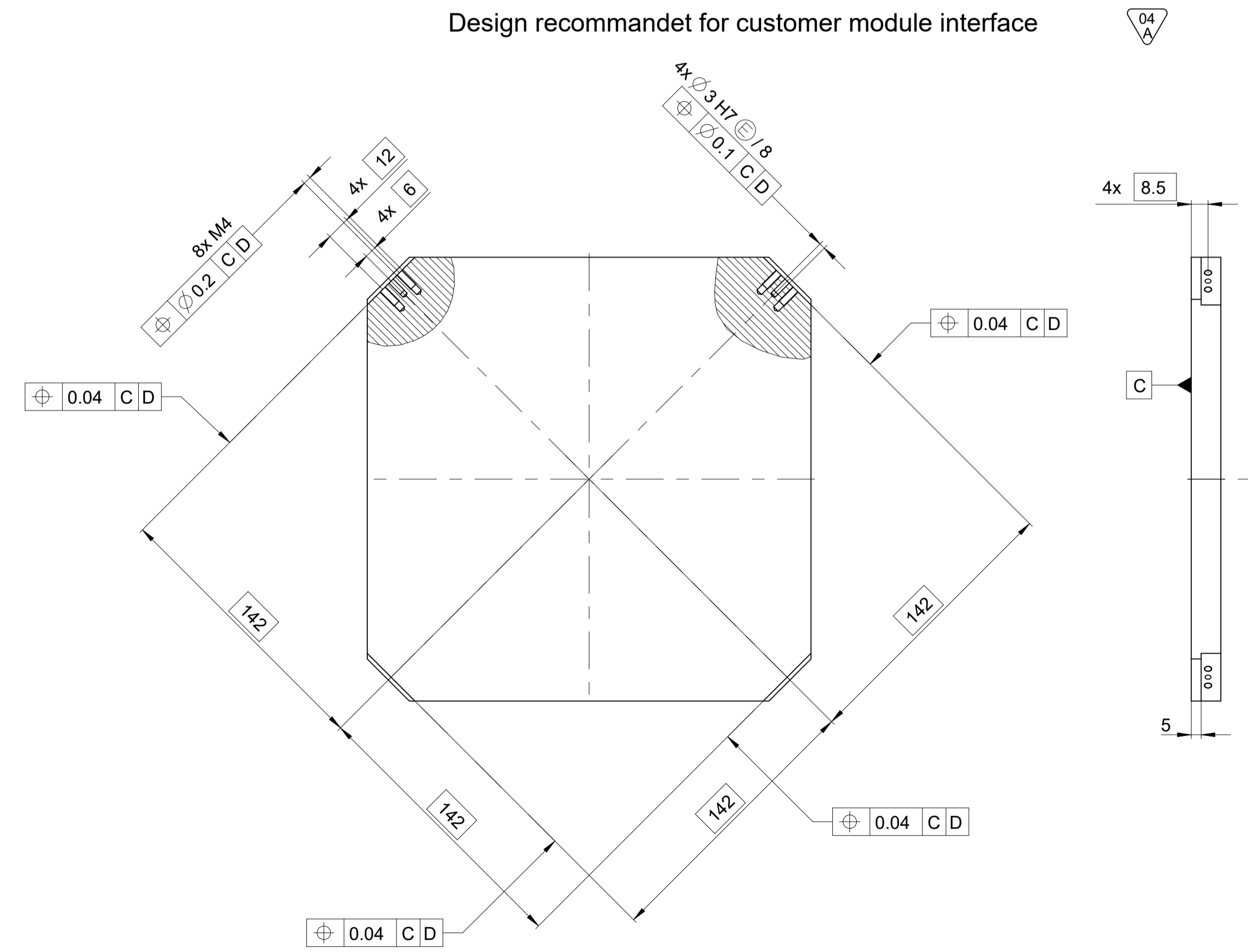
Option mounting plates



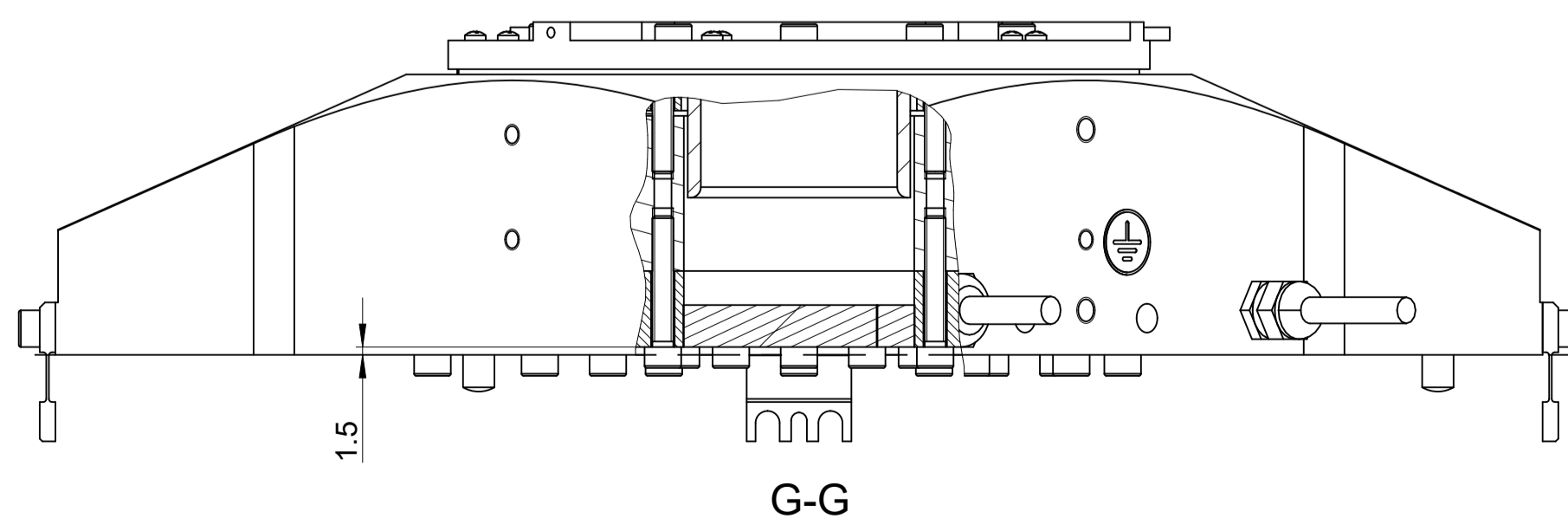
Kit vacuum chuck 45°



Design recommandet for customer module interface

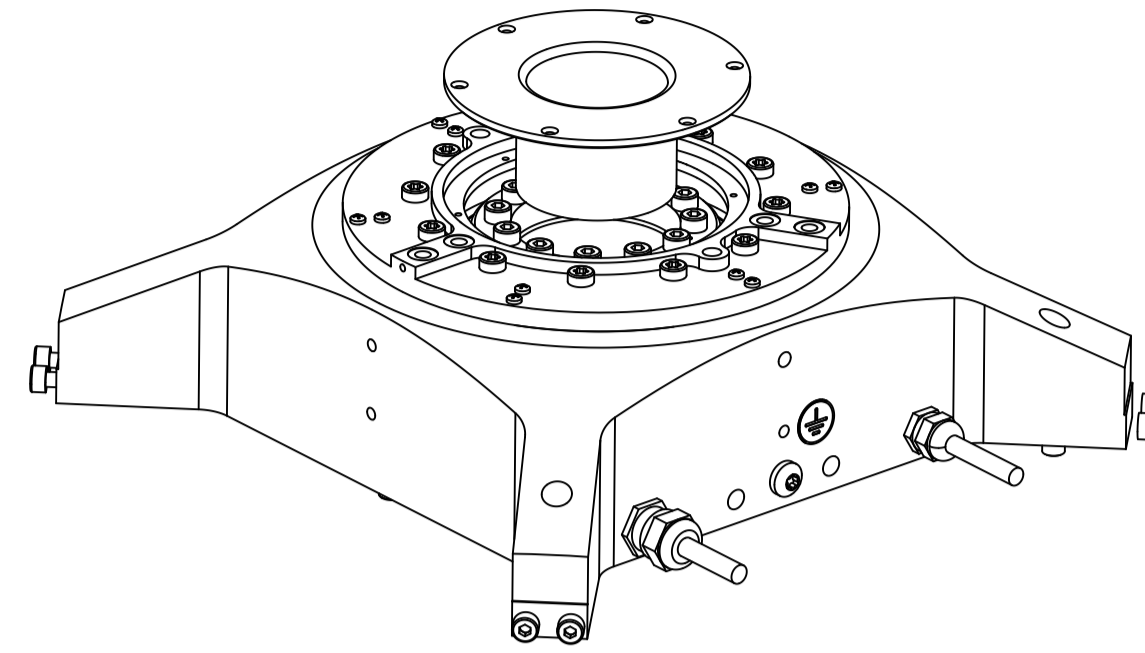
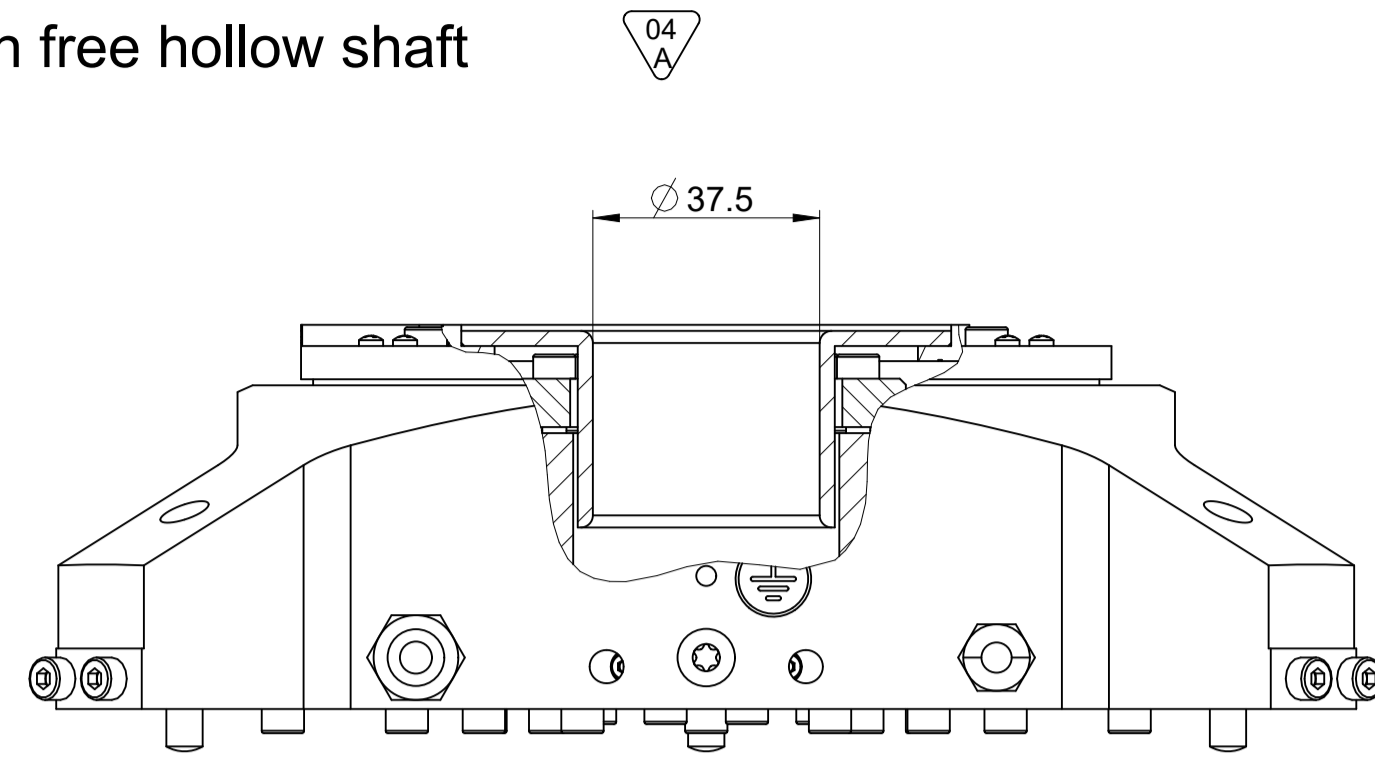


Kit vacuum chuck 6 and 7 tubes



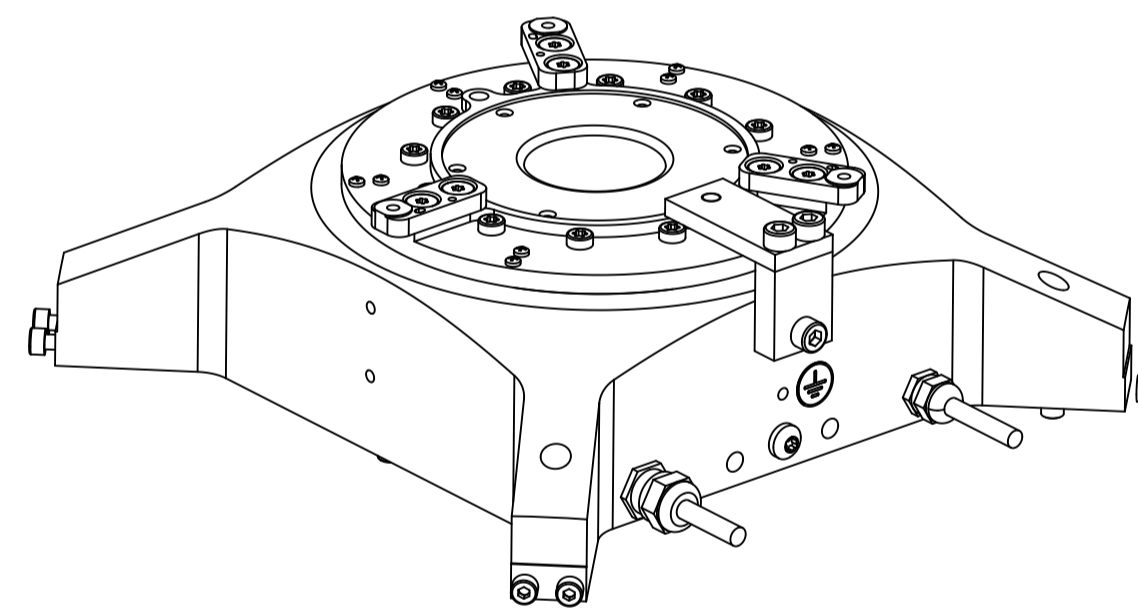
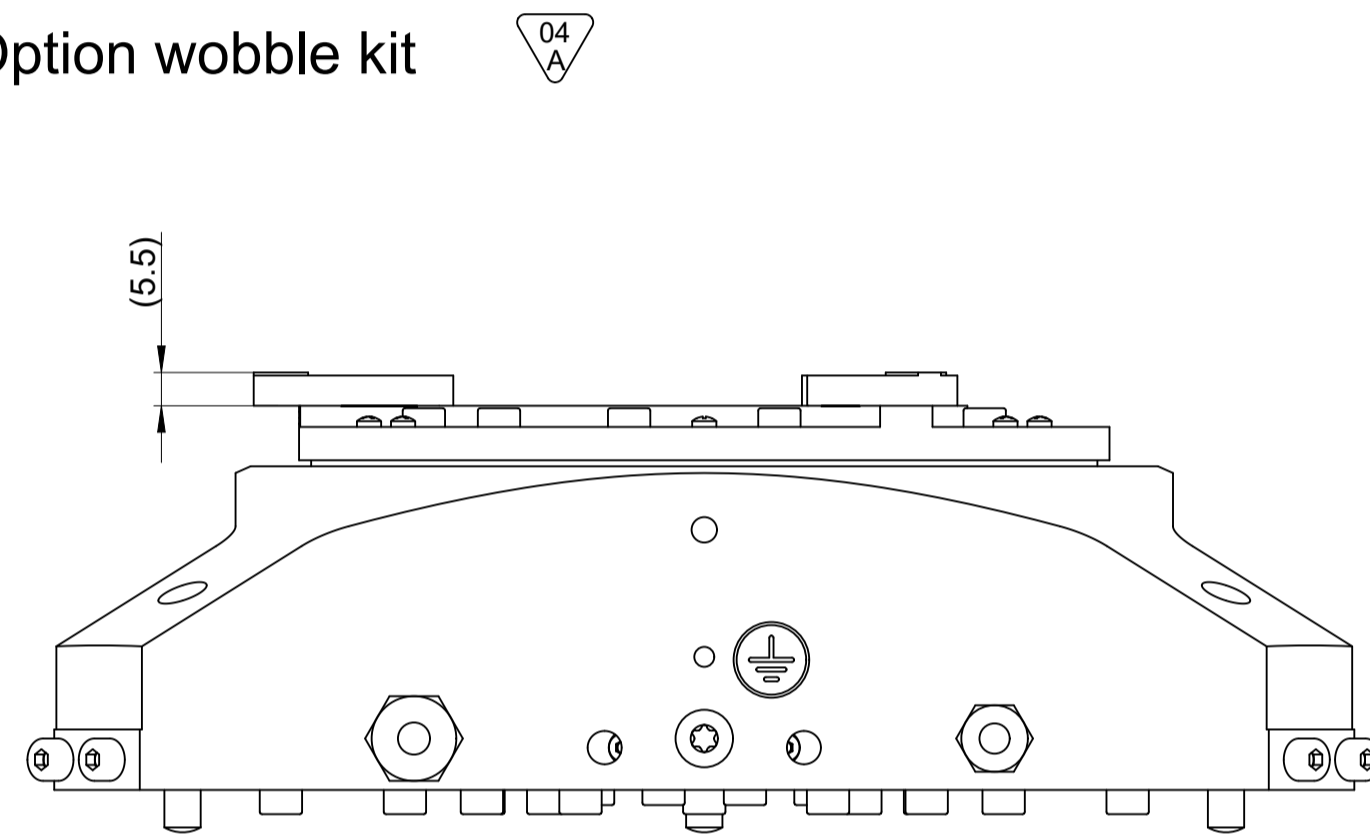
Text: Add customer recommendation drawing + wobble kit and option free shaft		ID number: 1226183-01
Change No. C114016-05		Released: 07-Nov-22
Tolerances as per ISO 8015 : 2011 Tolérances selon ISO 8015 : 2011		Dimensions without tolerance Dimensions sans tolérances ± 0.2
The reproduction, distribution and utilization of this document as well as the communication of its contents to others without express authorization is prohibited. Offenders will be held liable for the payment of damages. All rights reserved in the event of the grant of a patent, utility model or design. (ISO 18015)		Version Revision Sheet Page
ETEL S.A. 2112 Möllers SWITZERLAND		1226330-04 - A-01 Document number 3 of 4

Option free hollow shaft

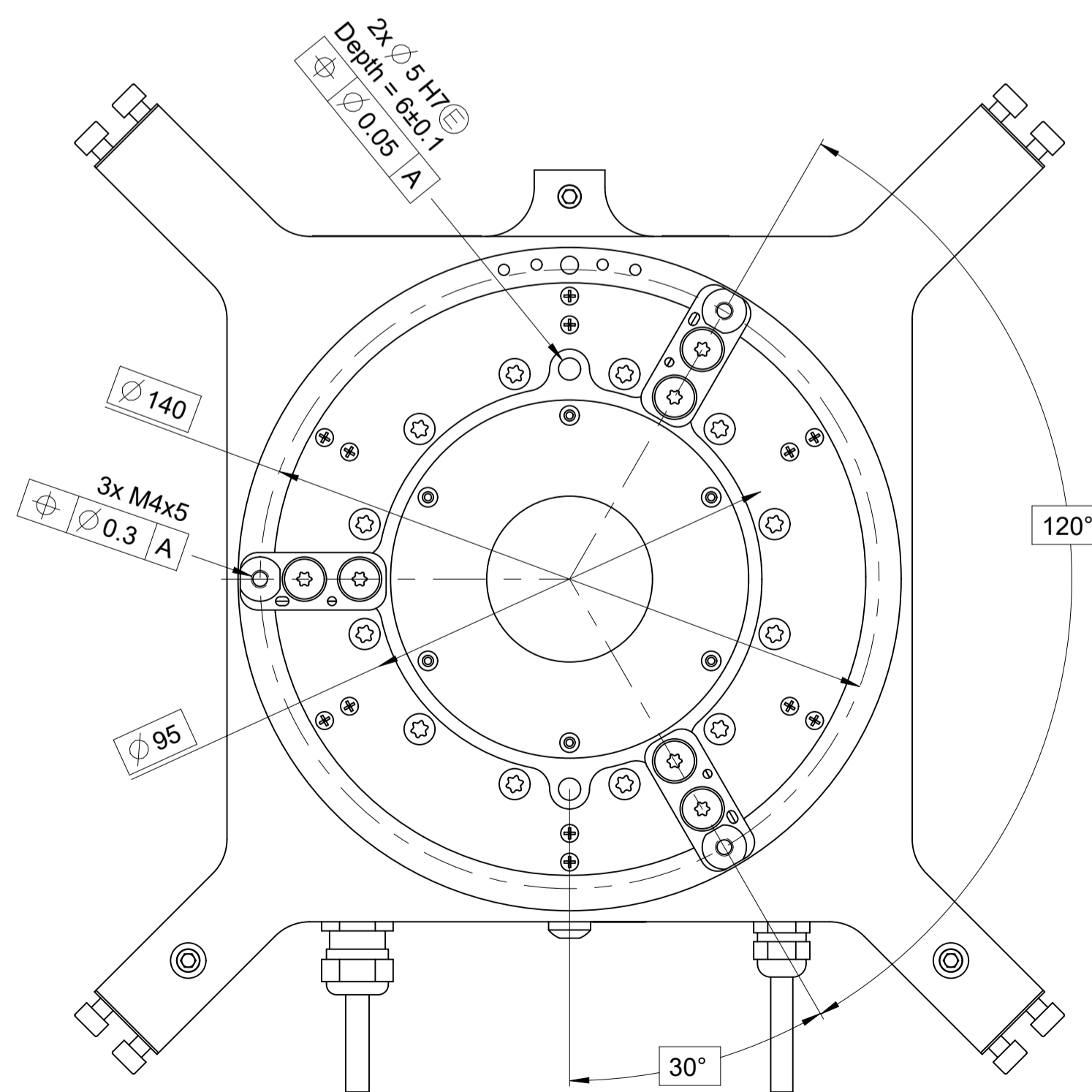


1:2

Option wobble kit



1:2



Text: Add customer recommendation drawing + wobble kit and option free shaft			ID number: 1226183-01
Change No. C114016-05			Released: 07-Nov-22
Tolerances as per ISO 8015 : 2011 Tolérances selon ISO 8015 : 2011			Dimensions without tolerance Dimensions sans tolérances ± 0.2
Original drawing	Scale	Format	DXR+ 155 - All options DXR+ 155 - All options Mating Dimensions / Cotes d'encadrement
Dimensions in mm	4:5	A1	
The reproduction, distribution and utilization of this document as well as the communication of its contents to others without express authorization is prohibited. Offenders will be held liable for the payment of damages. All rights reserved in the event of the grant of a patent, utility model or design. (ISO 18015)			Version Revision Sheet Page
ETEL ETEL S.A. 2112 Möllers SWITZERLAND			1226330-04 - A-01 Document number 4 of 4