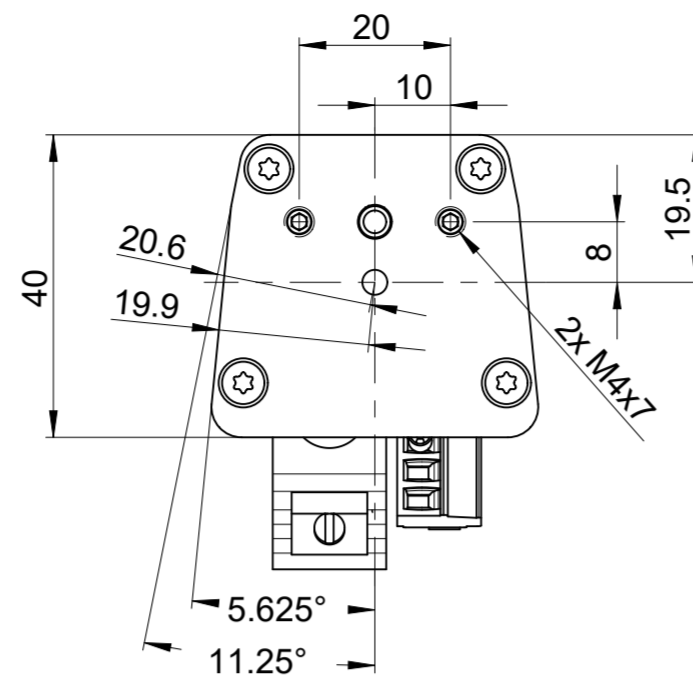
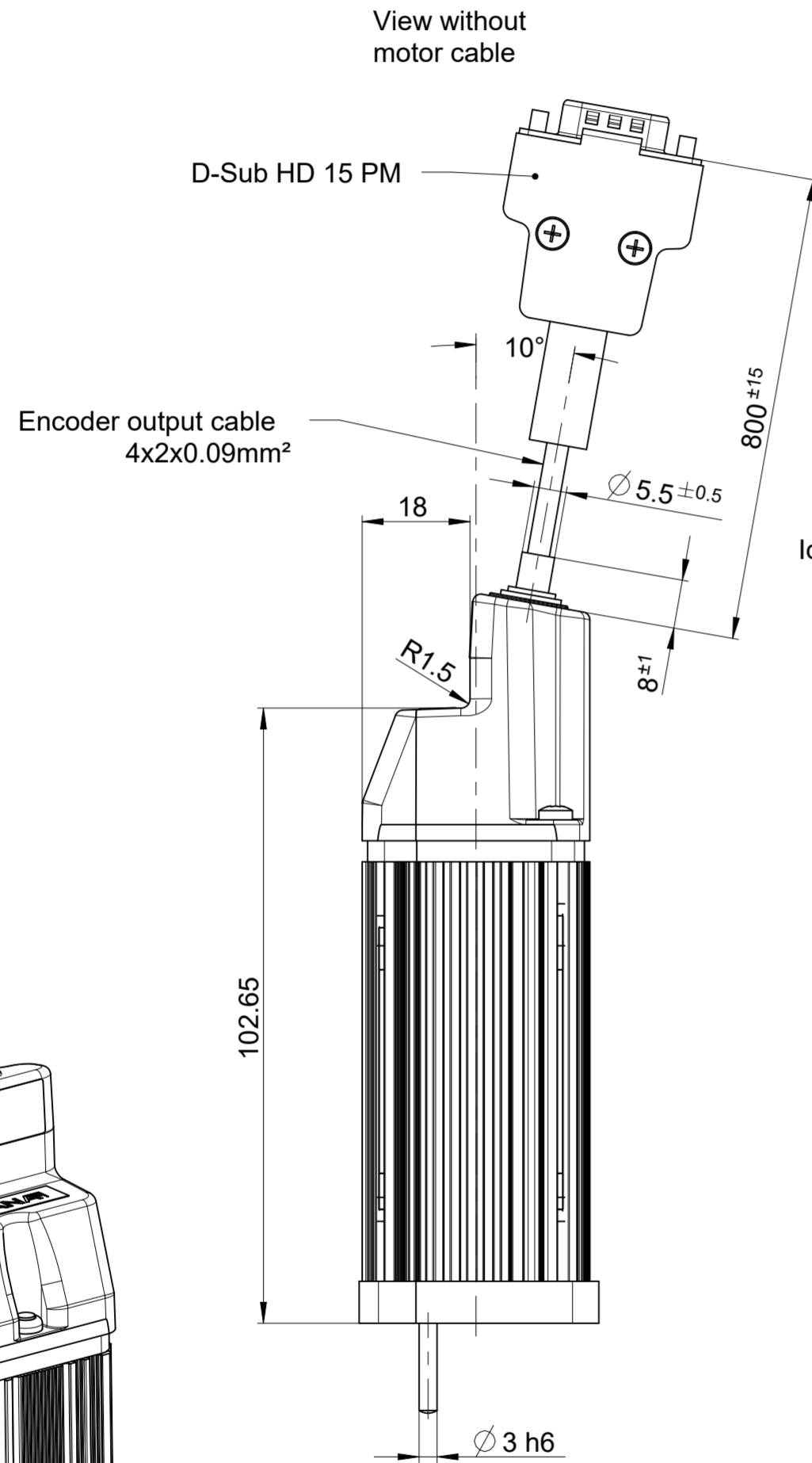


Function	Pin	Color encoder cable
+5 V	4	Brown/Green
0 V	5	White/Green
Shield		
A+	14	White
A-	7	Blue
B+	13	Gray
B-	6	Pink

Function	Pin	Color motor cable
PH1+	2	Brown
PH1-	3	White
PE+Shield	1	Green

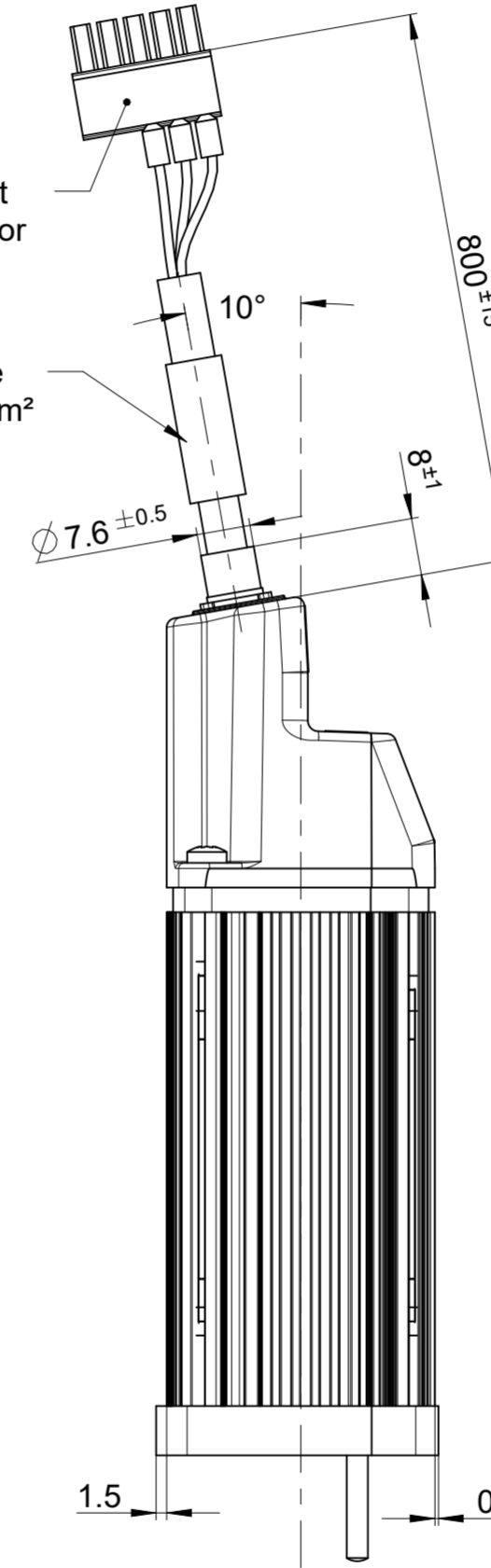


View without motor cable



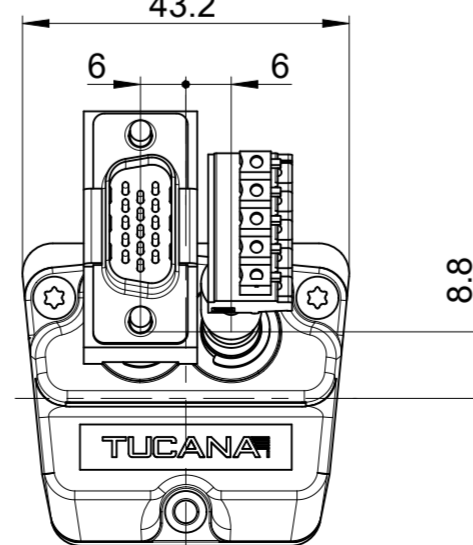
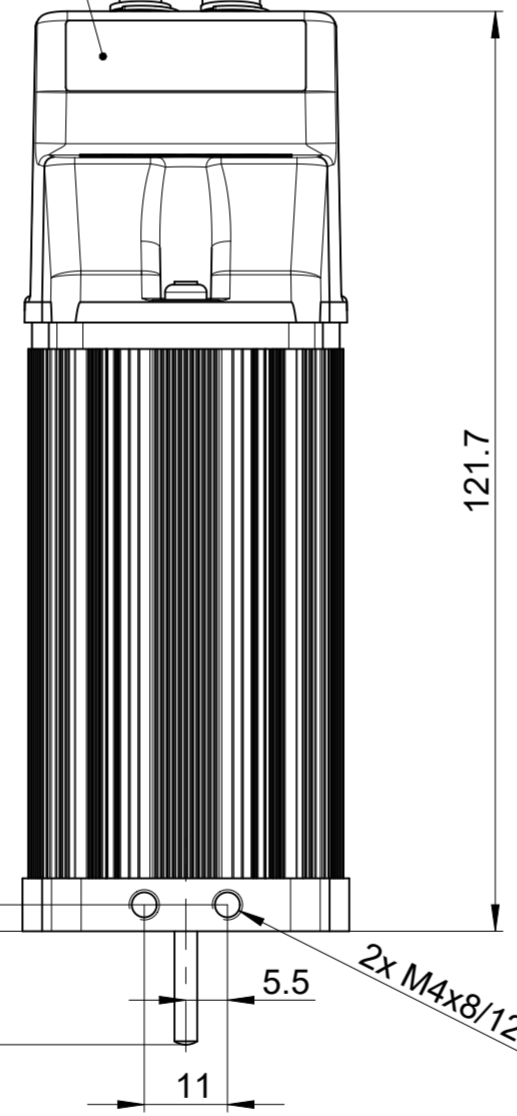
Printed-circuit board connector MC1,5 / 5-ST - 3,81

Motor output cable 3x0.5mm²

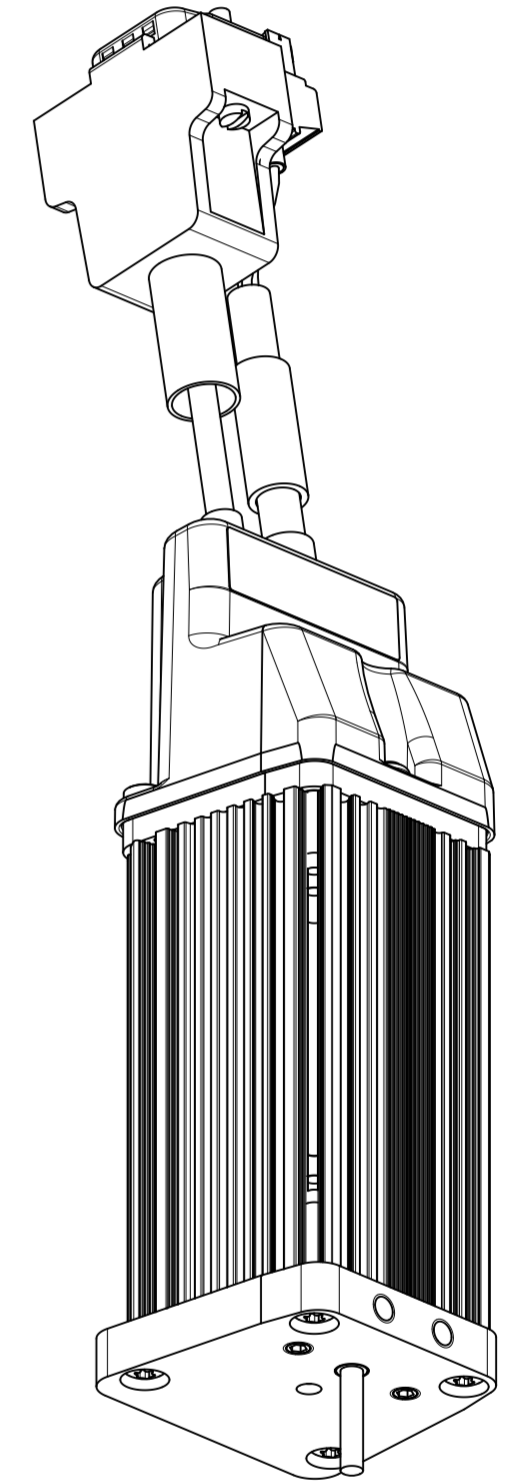


Identification label

15 (in upper position)
Nominal stroke = 10
Mechanical stroke = 10.7±0.3



3x M4x8/12



Text: Drawing updated		ID number: 1180364-01
Change No. C124922-05		Released: 09-Jun-21
ASME-TMMA00100151PAS0010- Z STANDALONE ACTUATOR		Tolerances as per ISO 8015 : 2011
ASME-TMMA00100151PAS0010- Z STANDALONE ACTUATOR		Tolérances selon ISO 8015 : 2011
Mating Dimensions / Cotes d'encombrement		Dimensions without tolerance
		Dimensions sans tolérances
The reproduction, distribution and utilization of this document as well as the communication of its contents to others without express authorization is prohibited. Offenders will be held liable for the payment of damages. All rights reserved in the event of the grant of a patent, utility model or design. (ISO 16016)		
ETEL S.A. 2112 Môtiers SWITZERLAND		Version Revision Sheet Page 1203549-01 - A-01 1 1